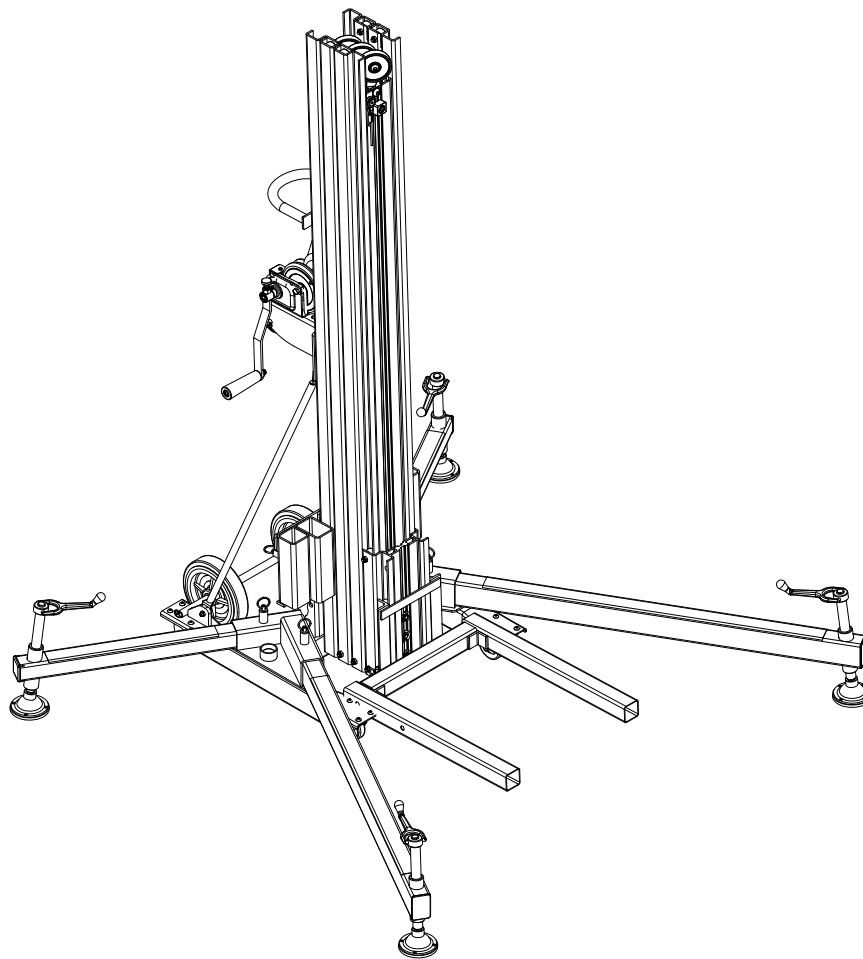


---

# PARTS MANUAL

## EVENTER 16

---



**SUMNER**<sup>®</sup>

---

**USA:**

7514 Alabonson Rd.  
Houston, TX 77088  
tel: 281-999-6900  
fax: 281-999-6966

**CANADA:**

470 Collier MacMillan Drive  
Unit 2 & 3  
Cambridge, ON N1R 5Y7  
tel: 519-623-2300  
fax: 519-623-0744

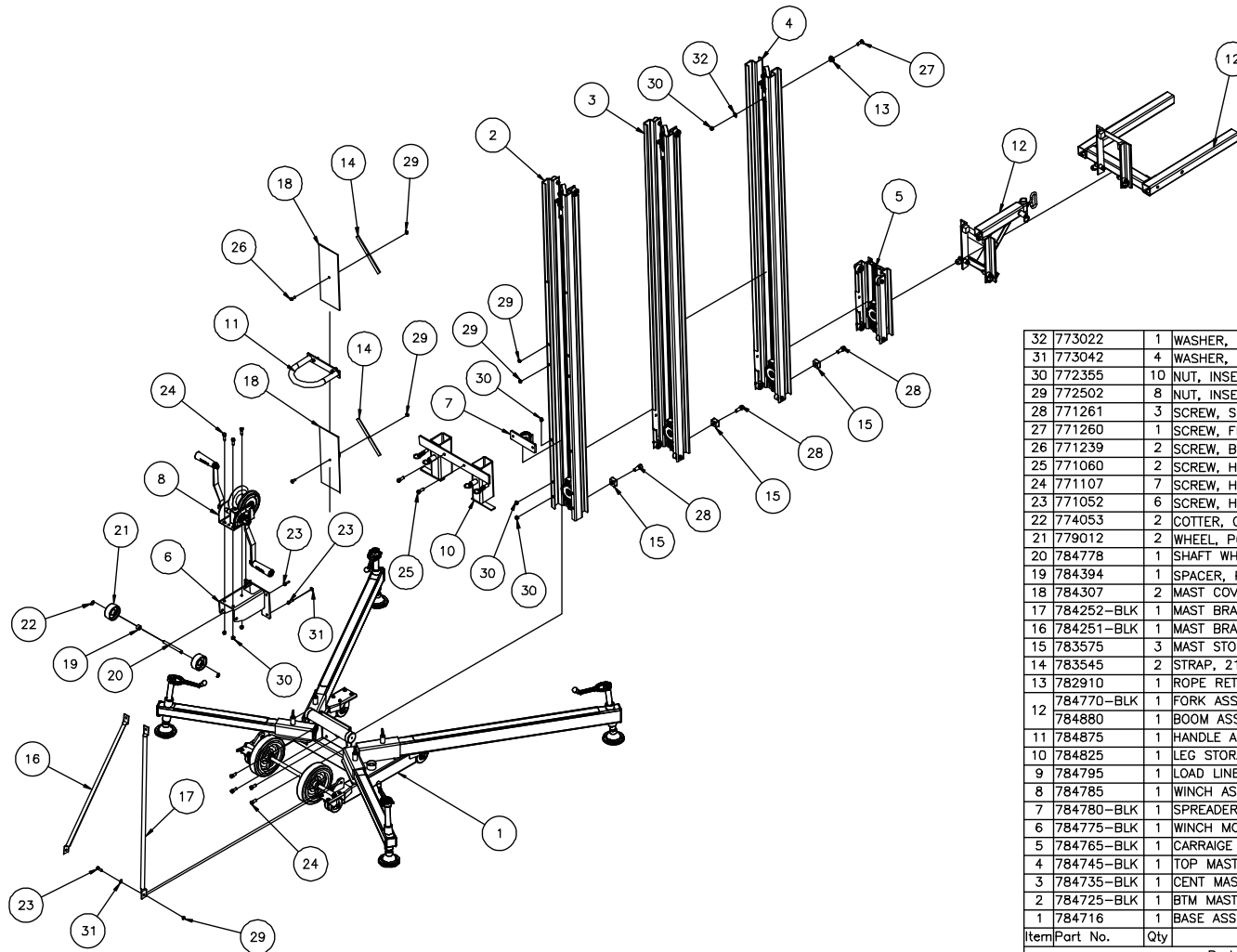
**UK:**

Unit 16A  
Blackpole Trading Estate East  
Blackpole Road  
Worcester, WR3 8SG  
tel: +44 (0)1905 458333  
fax: +44(0)1905 458222

# EVENTER 16 LIFT ASSEMBLY

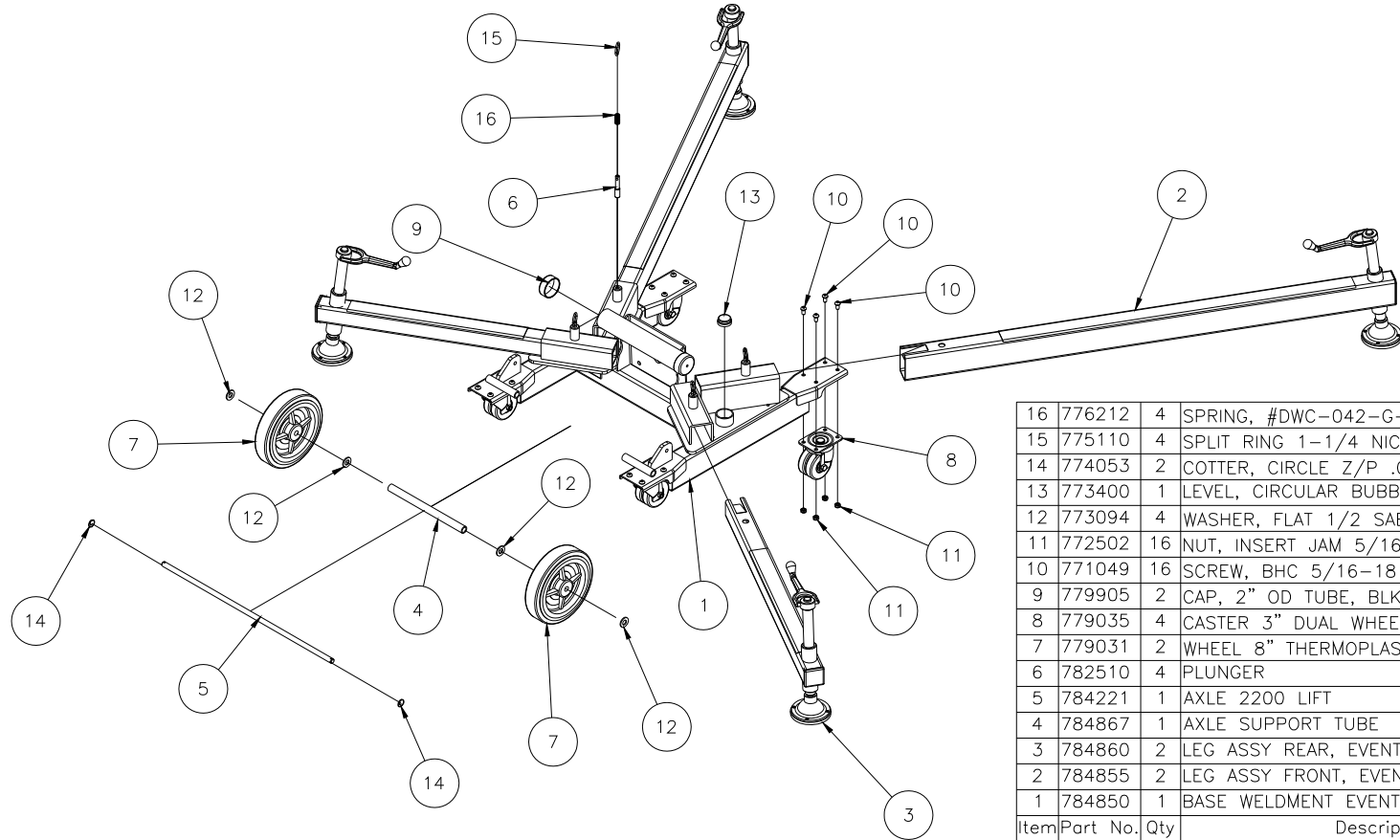
784760 - EVENTER 16 LIFT ASSY. WITH FORK

784761 - EVENTER 16 LIFT ASSY. WITH BOOM



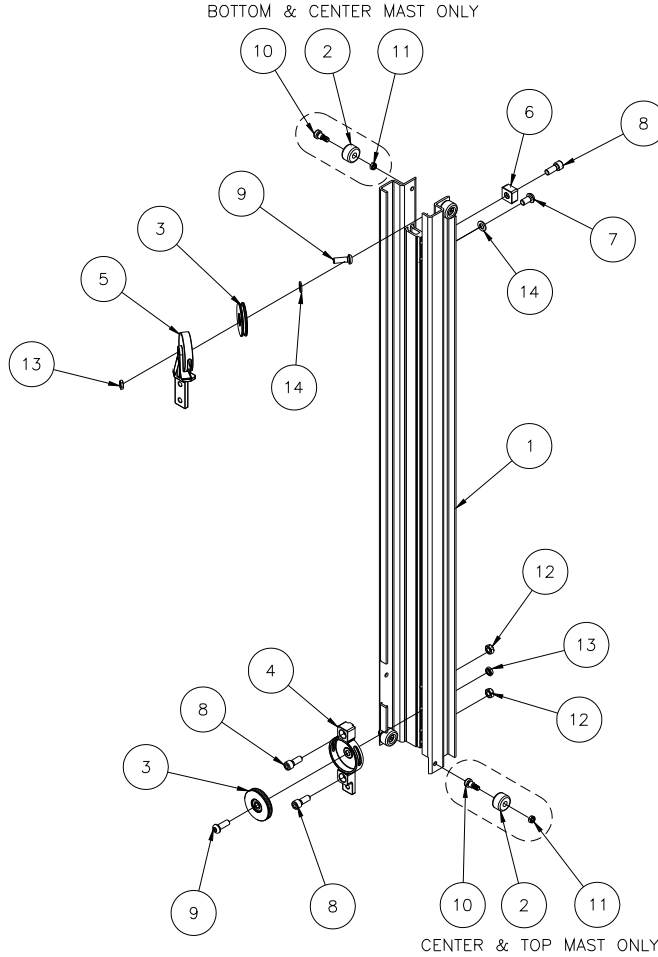
32	773022	1	WASHER, FLAT 3/8 HARDENED
31	773042	4	WASHER, FLAT 5/16
30	772355	10	NUT, INSERT LOCK 3/8-16
29	772502	8	NUT, INSERT JAM 5/16-18
28	771261	3	SCREW, SHC 1/2-13 X 1-1/4
27	771260	1	SCREW, FHSC 3/8-16 X 1-1/4
26	771239	2	SCREW, BHC 5/16-18 X 7/8
25	771060	2	SCREW, HHC 3/8-16 X 1-1/4
24	771107	7	SCREW, HHC 3/8-16 X 1
23	771052	6	SCREW, HHC 5/16-18 X 1
22	774053	2	COTTER, CIRCLE Z/P .048 X 3/4
21	779012	2	WHEEL, POLY OLEFIN 3"
20	784778	1	SHAFT WHEEL 2400 LIFT
19	784394	1	SPACER, PULLEY 1/2"
18	784307	2	MAST COVER, SHORT 2200
17	784252-BLK	1	MAST BRACE RIGHT BLACK
16	784251-BLK	1	MAST BRACE LEFT BLACK
15	783575	3	MAST STOP BLOCK
14	783545	2	STRAP, 2100 SERIES LIFT
13	782910	1	ROPE RETAINER WASHER
12	784770-BLK	1	FORK ASSEMBLY EVENTER 16 BLACK
	784880	1	BOOM ASSEMBLY EVENTER 16
11	784875	1	HANDLE ASSEMBLY EVENTER 16
10	784825	1	LEG STORAGE ASSY EVENTER 16
9	784795	1	LOAD LINE EVENTER 16
8	784785	1	WINCH ASSY EVENTER 16
7	784780-BLK	1	SPREADER PLATE ASSY EVENTER 16
6	784775-BLK	1	WINCH MOUNTING WELDMENT BLACK
5	784765-BLK	1	CARRAIGE ASSY EVENTER 16 BLACK
4	784745-BLK	1	TOP MAST ASSY EVENTER 16 BLACK
3	784735-BLK	1	CENT MAST ASSY EVENTER 16 BLK
2	784725-BLK	1	BTM MAST ASSY EVENTER 16 BLACK
1	784716	1	BASE ASSEMBLY EVENTER 16
Item	Part No.	Qty	Description
Parts List			

# 784716 - EVENTER 16 BASE ASSY.



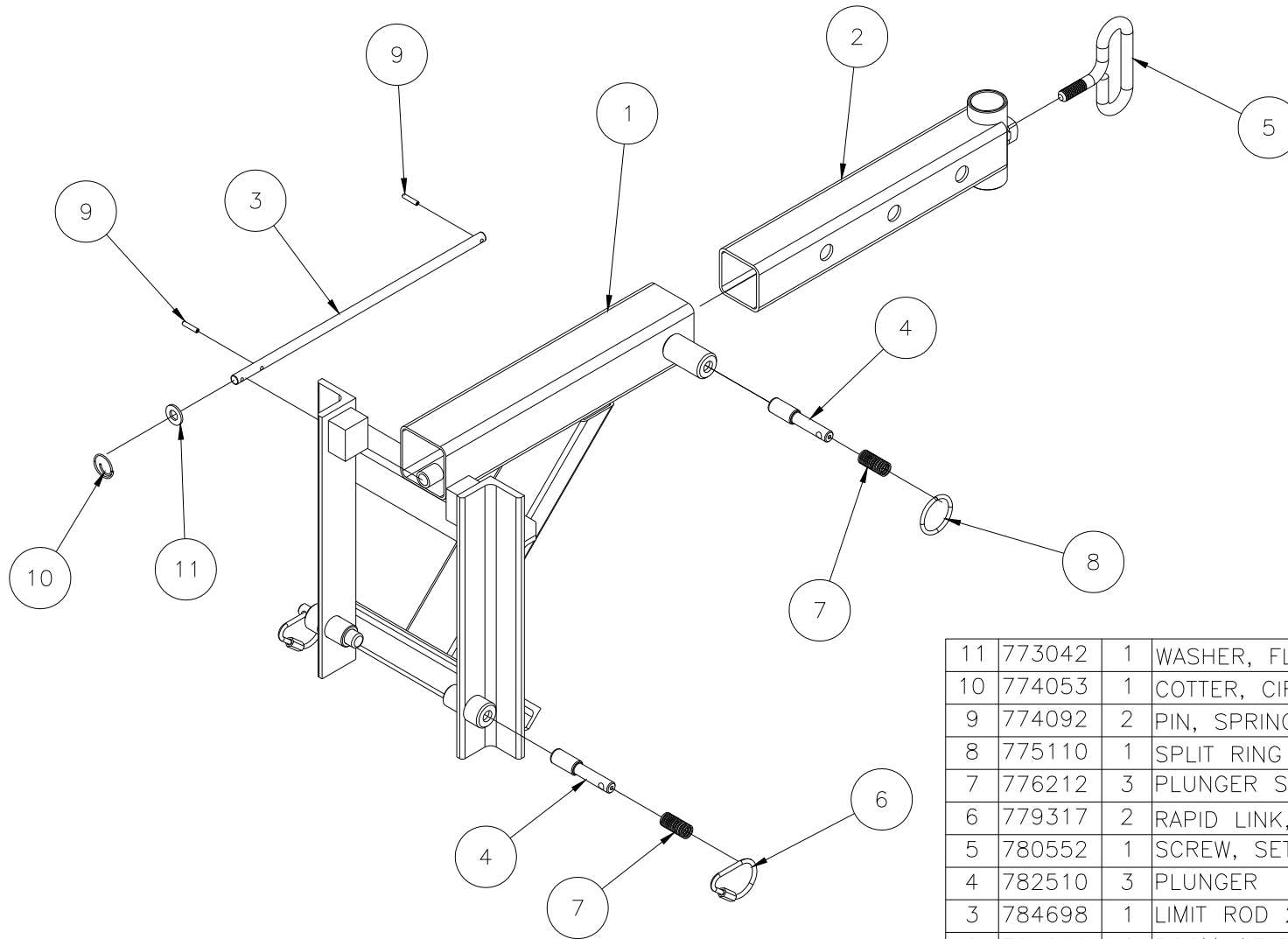
16	776212	4	SPRING, #DWC-042-G-9
15	775110	4	SPLIT RING 1-1/4 NICK. PLTD.
14	774053	2	COTTER, CIRCLE Z/P .048 X 3/4
13	773400	1	LEVEL, CIRCULAR BUBBLE
12	773094	4	WASHER, FLAT 1/2 SAE
11	772502	16	NUT, INSERT JAM 5/16-18
10	771049	16	SCREW, BHC 5/16-18 X 5/8
9	779905	2	CAP, 2" OD TUBE, BLK.
8	779035	4	CASTER 3" DUAL WHEEL
7	779031	2	WHEEL 8" THERMOPLASTIC, GRAY
6	782510	4	PLUNGER
5	784221	1	AXLE 2200 LIFT
4	784867	1	AXLE SUPPORT TUBE
3	784860	2	LEG ASSY REAR, EVENTER 16
2	784855	2	LEG ASSY FRONT, EVENTER 16
1	784850	1	BASE WELDMNT EVENTER 16
Item	Part No.	Qty	Description
Parts List			

# EVENTER 16 MAST ASSEMBLY



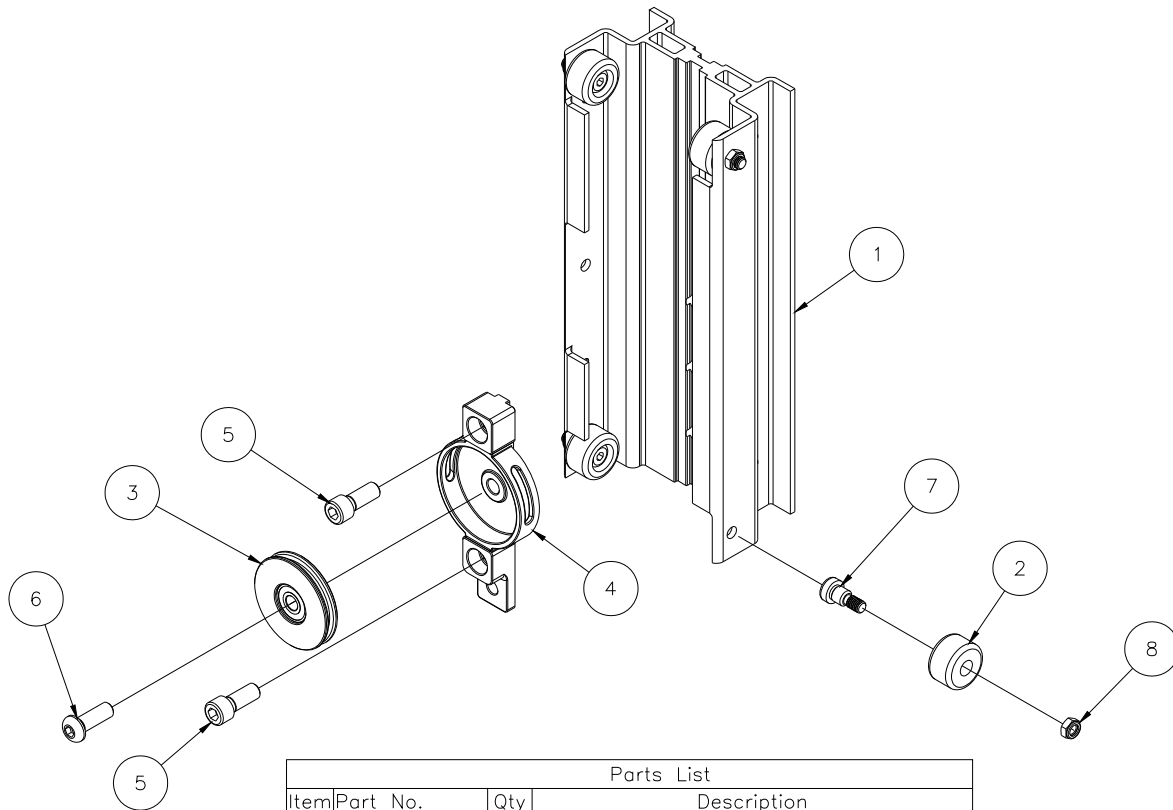
14	773096	2	WASHER, FLAT M12
13	772505	2	NUT, JAM LOCK M12
12	772358	2	NUT, INSERT JAM 1/2-13
11	772350	2	NUT, INSERT JAM 3/8-16 (TOP & BOTTOM MAST)
	772350	4	NUT, INSERT JAM 3/8-16 (CENTER MAST)
10	771350	2	SCREW, SHOULDER 1/2 X 1/2 (TOP & BOTTOM MAST)
	771350	4	SCREW, SHOULDER 1/2 X 1/2 (CENTER MAST)
9	771263	2	SCREW, BHC M12-1.75 X 35
8	771261	3	SCREW, SHC 1/2-13 X 1-1/4
7	771259	1	SCREW, BHC 1/2-13 X 1
6	783575	1	STOP BLOCK
5	784710	1	PULLEY MOUNT
4	784705	1	PULLEY COVER
3	784724	2	PULLEY ASSEMBLY 3"
2	784722	2	MAST ROLLER 2412 LIFT (TOP & BOTTOM MAST)
	784722	4	MAST ROLLER 2412 LIFT (CENTER MAST)
1	784746-BLK	1	TOP MAST MACH EVENTER 16 BLACK
	784736-BLK	1	CENT MAST MACH EVENTER 16 BLK
	784726-BLK	1	BTM MAST MACH EVENTER 16 BLACK
Item	Part No.	Qty	Description
Parts List			

# 784880 - BOOM ASSEMBLY



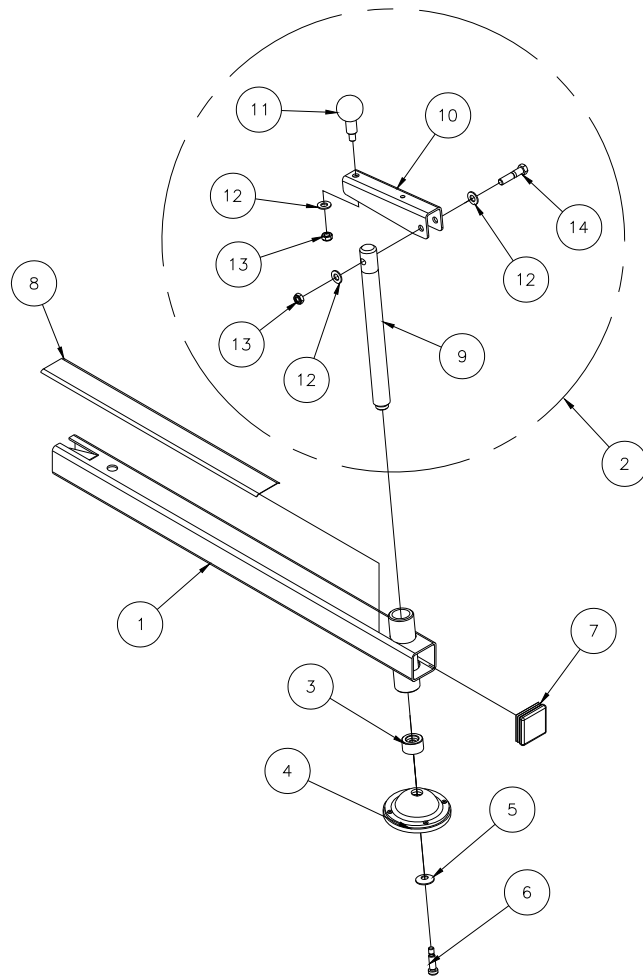
11	773042	1	WASHER, FLAT 5/16
10	774053	1	COTTER, CIRCLE Z/P .048 X 3/4
9	774092	2	PIN, SPRING LOCK 1/8 X 5/8
8	775110	1	SPLIT RING 1-1/4" NICK. PLTD.
7	776212	3	PLUNGER SPRING
6	779317	2	RAPID LINK, 1/8"
5	780552	1	SCREW, SET C-110W
4	782510	3	PLUNGER
3	784698	1	LIMIT ROD 2400 LIFT
2	784890	1	BOOM WELDMENT INNER
1	784881	1	BOOM WELDMENT OUTER
Item	Part No.	Qty	Description
Parts List			

# 784765-BLK - EVENTER 16 CARRIAGE ASSEMBLY



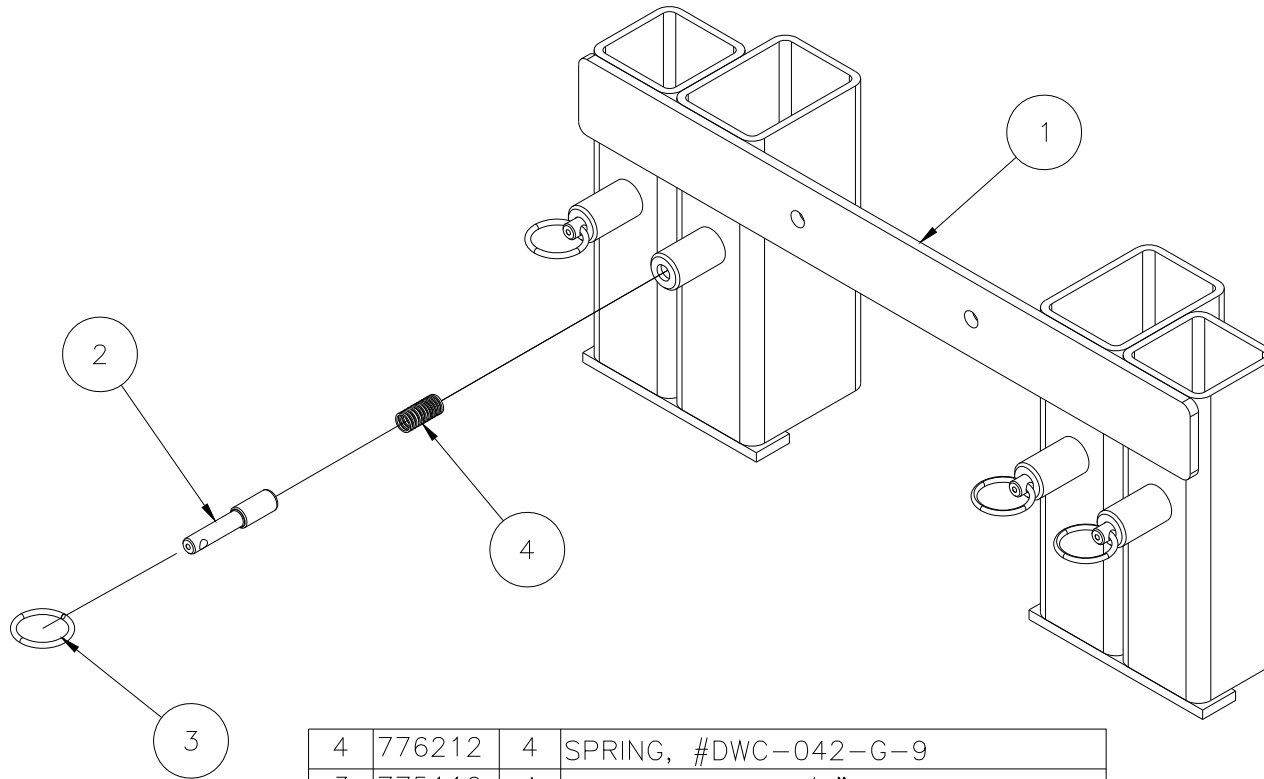
Parts List			
Item	Part No.	Qty	Description
1	784766-BLK	1	CARRIAGE MACH EVENTER 16 BLACK
2	784722	4	MAST ROLLER 2412 LIFT
3	784724	1	PULLEY ASSEMBLY 3"
4	784705	1	PULLEY COVER
5	771261	2	SCREW, SHC 1/2-13 X 1-1/4
6	771263	1	SCREW, BHC M12-1.75 X 35
7	771350	4	SCREW, SHOULDER 1/2 X 1/2
8	772350	4	NUT, INSERT JAM 3/8-16
9	772358	2	NUT, INSERT JAM 1/2-13
10	772505	1	NUT, JAM LOCK M12

784855 - LEG ASSEMBLY FRONT  
 784860 - LEG ASSEMBLY REAR



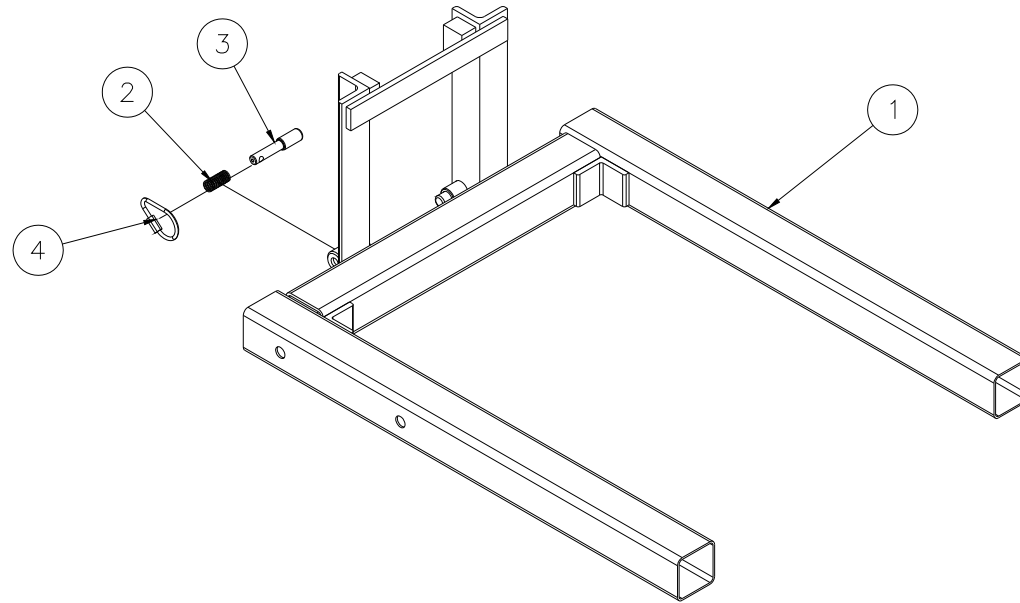
14	771100	1	SCREW, HHC 3/8-16 X 1-3/4
13	772350	2	NUT, INSERT JAM 3/8-16
12	773022	3	WASHER, FLAT 3/8 SAE HARDENED
11	774125	1	KNOB, REVOLVING BALL
10	784897	1	HANDLE, LEVELING SCREW
9	784896	1	LEVELING SCREW, EVENTER 16
8	778352	1	TAPE, 2" B/Y CAUTION STRIPE
7	779916	1	CAP, 2" SQ. TUBING, BLK.
6	771354	1	SCREW, SHOULDER 5/16 X 1
5	773080	1	WASHER, CONICAL
4	773042	1	WASHER, FLAT 5/16
3	783891	1	BUSHING, LEVELING SCREW
2	784895	1	LEVELING SCREW ASSEMBLY 2416 LIFT
1	784861	1	LEG WELDMENT REAR, EVENTER 16
1	784856	1	LEG WELDMENT FRONT, EVENTER 16
Item	Part No.	Qty	Description
Parts List			

# 784825 - EVENTER 16 LEG STORAGE ASSEMBLY



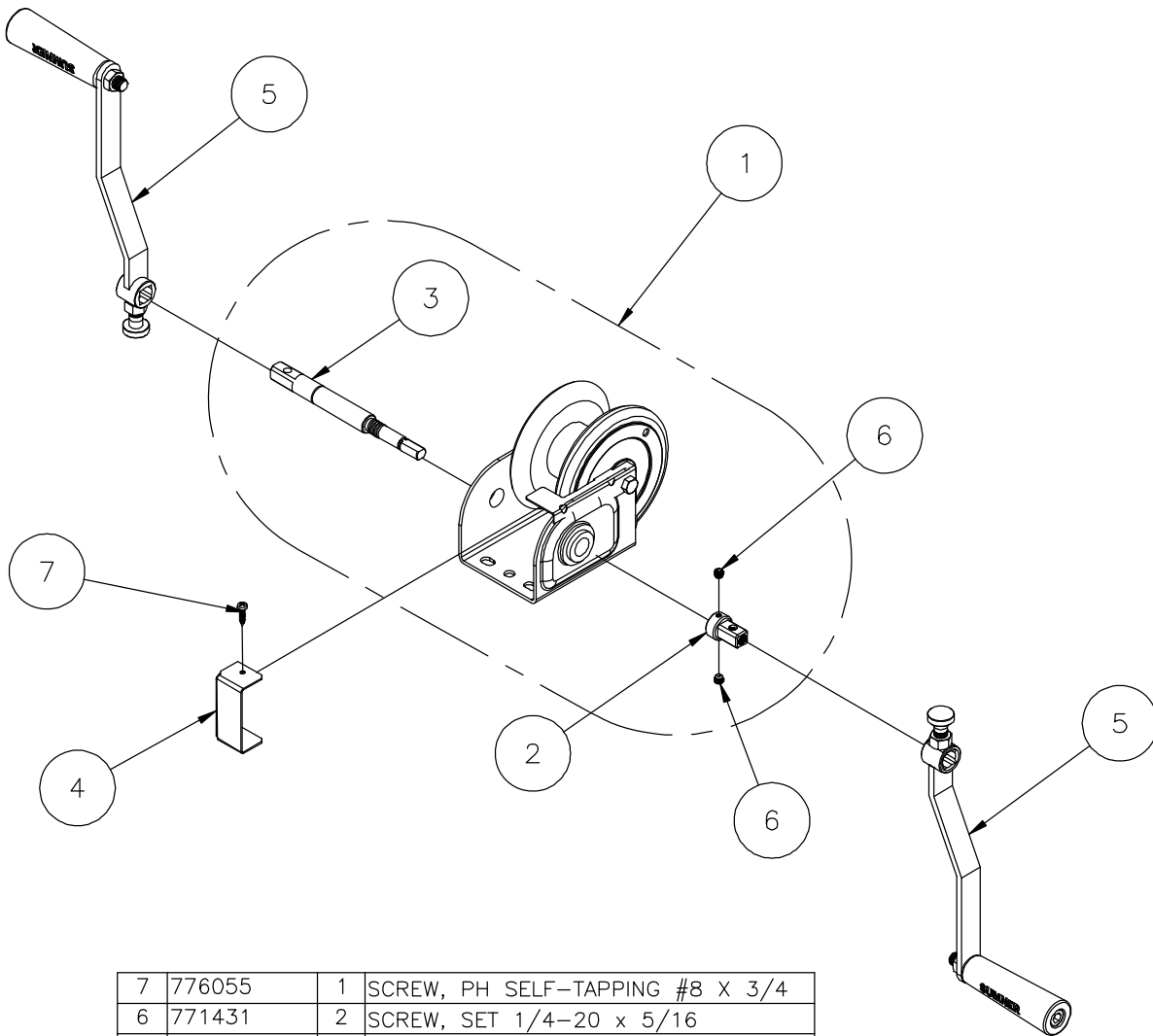
4	776212	4	SPRING, #DWC-042-G-9
3	775110	4	SPLIT RING 1-1/4"
2	782510	4	PLUNGER
1	784826	1	LEG STORAGE WLDMNT EVENTER 16
Item	Part No.	Qty	Description
Parts List			

# 784770-BLK - FORK ASSEMBLY



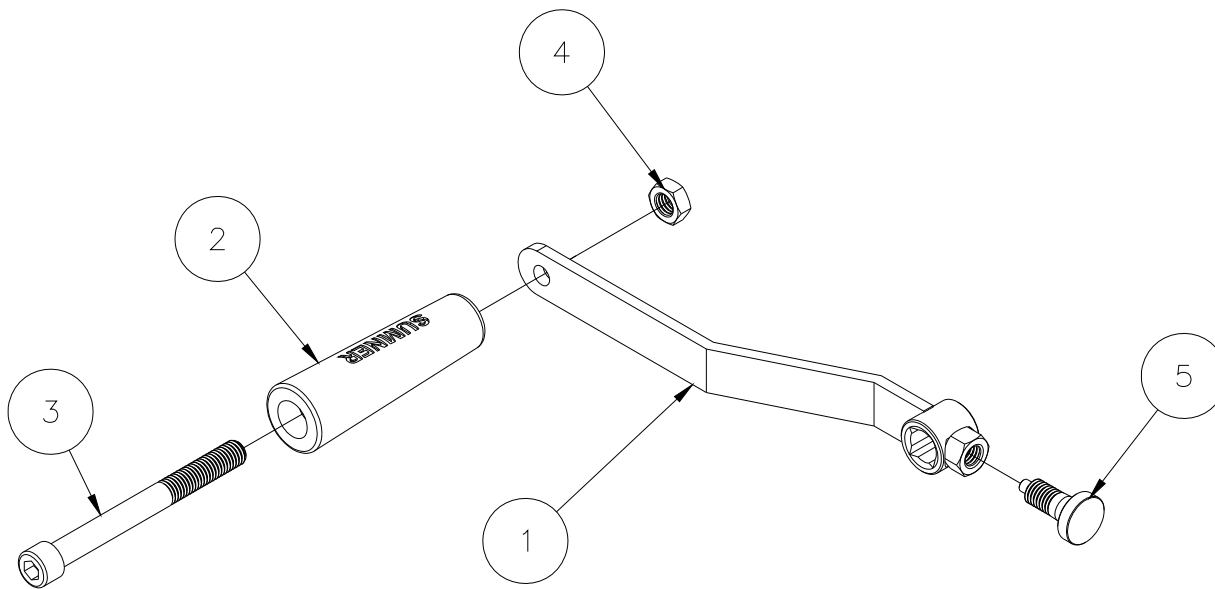
4	779317	2	RAPID LINK, 1/8"
3	782510	2	PLUNGER
2	776212	2	PLUNGER SPRING
1	784771-BLK	1	FORK WELDMENT EVENTER 16 BLACK
Item	Part No.	Qty	Description
Parts List			

# 784785 - WINCH ASSEMBLY



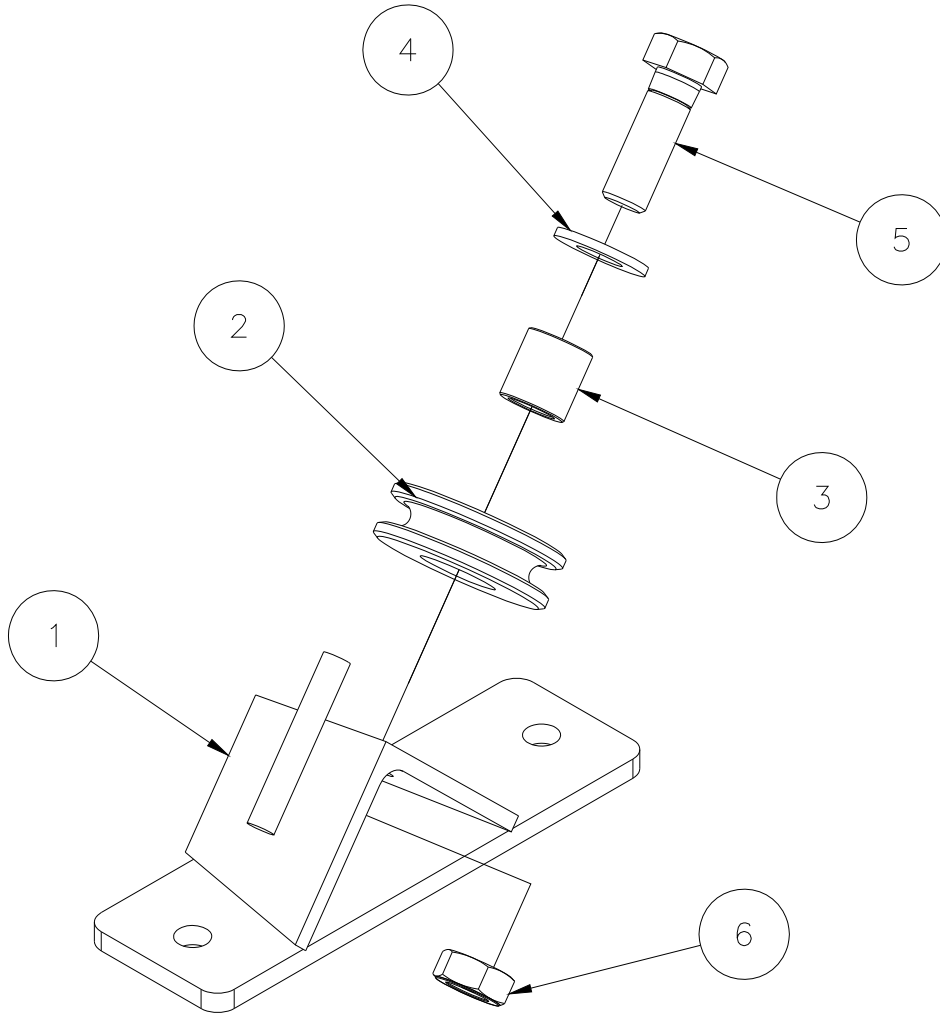
7	776055	1	SCREW, PH SELF-TAPPING #8 X 3/4
6	771431	2	SCREW, SET 1/4-20 x 5/16
5	783757	2	WINCH HANDLE ASSY, MX
4	784671	1	WINCH GUARD
3	784786	1	WINCH SHAFT 2400 LIFT
2	784284	1	WINCH HANDLE ADAPTER
1	779951	1	WINCH, FULTON EVENTER 16
Item	Part No.	Qty	Description
Parts List			

# 783757 - WINCH HANDLE ASSEMBLY



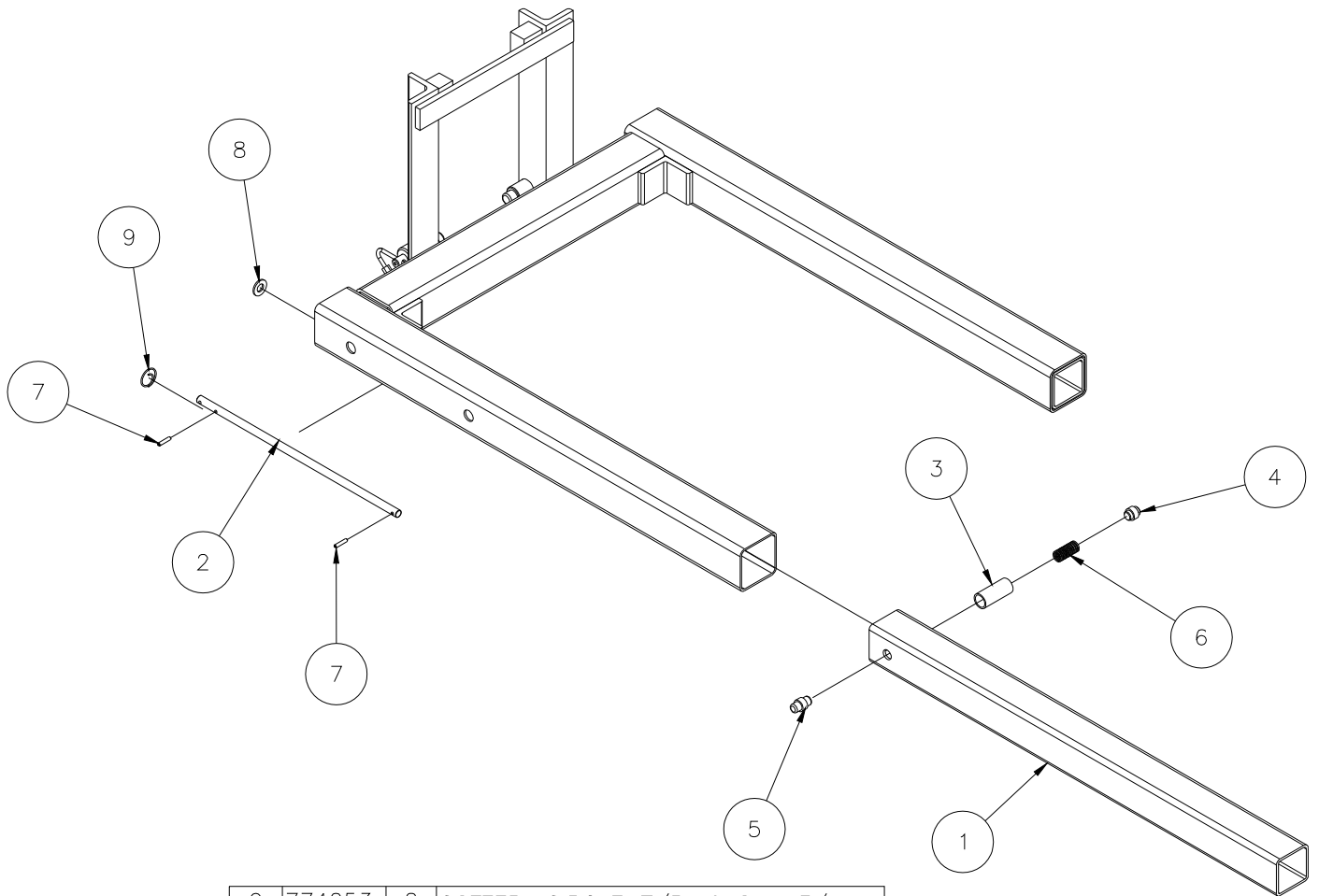
5	774180	1	PLUNGER ASSEMBLY
4	772358	1	1/2-13 INSERT JAM LOCK NUT
3	771254	1	SHCS 1/2-13 x 5
2	780182	1	WINCH HANDLE SLEEVE
1	783756	1	HANDLE WELDMENT
Item	Part No.	Qty	Description
Parts List			

# 784780-BLK - SPREADER PLATE ASSEMBLY



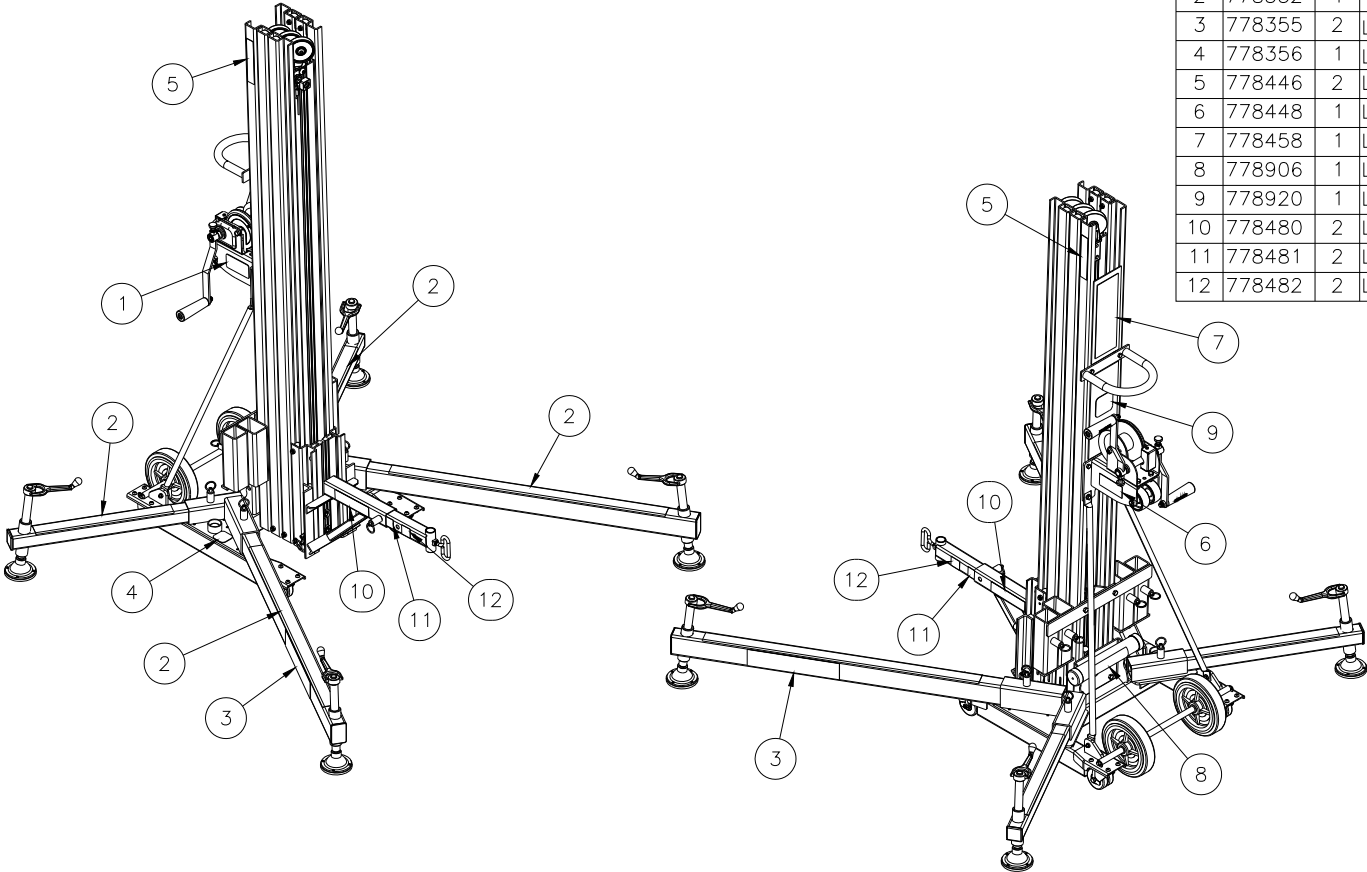
6	772358	1	NUT, INSERT JAM 1/2-13
5	771120	1	SCREW, HHC 1/2-13 X 1-1/2
4	773094	1	WASHER, FL 1/2 SAE
3	782960	1	ROLLER SHAFT
2	780025	1	SHEAVE, RAB 2"
1	784781-BLK	1	SPREADER PLATE WELDMENT BLACK
Item	Part No.	Qty	Description
Parts List			

# 784695 - FORK EXTENSION KIT ASSEMBLY



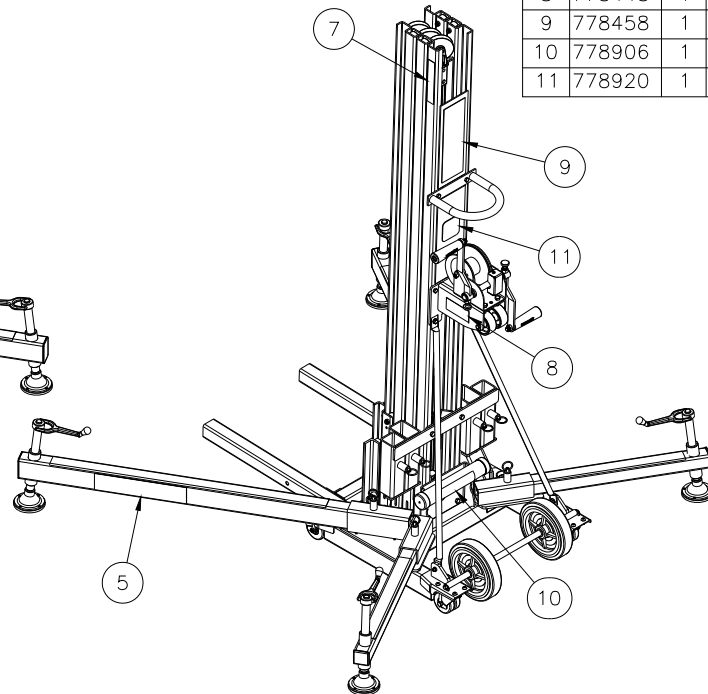
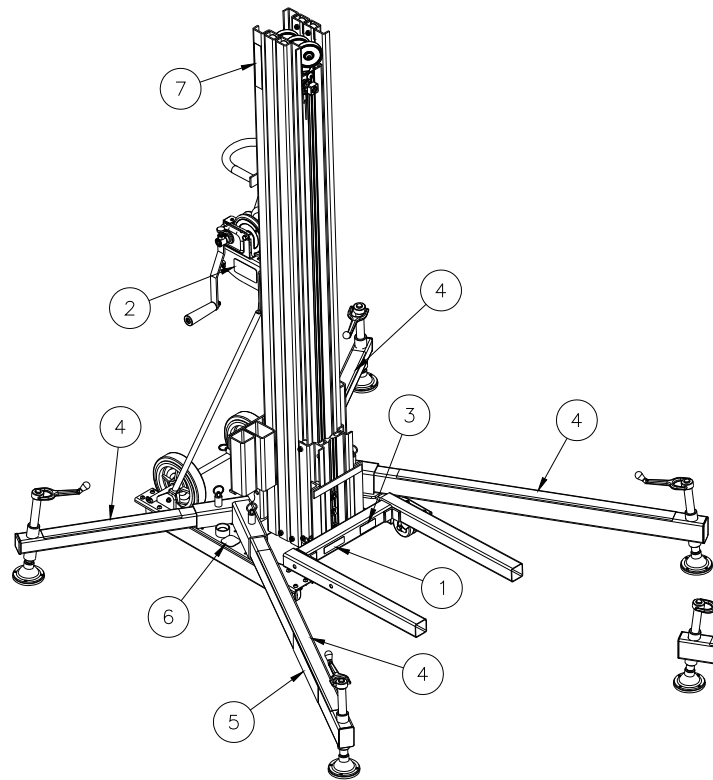
9	774053	2	COTTER, CIRCLE Z/P .048 X 3/4
8	773042	2	WASHER, FL 5/16
7	774092	4	PIN, SPRING LOCK 1/8 X 5/8
6	776212	2	SPRING, #DWC-042-G-9
5	783509	2	PIN, DETENT
4	783508	2	PIN, LOCATOR
3	774035	2	SPACER, BUTTIE 1/2 X 1-1/2
2	784698	2	LIMIT ROD 2400 LIFT
1	784696	2	FORK EXTENSION WELDMENT
Item	Part No.	Qty	Description
Parts List			

# 778414 - LABEL KIT PLACEMENT WITH BOOM



Parts List			
Item	Part No.	Qty	Description
1	778346	1	LABEL, WINCH RAISE/LOWER
2	778352	1	TAPE, 2" B/Y CAUTION STRIPE (10 FT.)
3	778355	2	LABEL, SUMNER W/BLK BACKGROUND
4	778356	1	LABEL, WARNING "LEVEL PRIOR..."
5	778446	2	LABEL, MODEL EVENTER 16
6	778448	1	LABEL, SERIAL NO. EVENTER 16
7	778458	1	LABEL, LARGE WARNING 2200 LIFT
8	778906	1	LABEL, OPER MANUAL, LIFT-READ B4
9	778920	1	LABEL, CAUTION CARRIAGE LATCH
10	778480	2	LABEL, SUMNER EVENTER 16 BOOM
11	778481	2	LABEL, DO NOT EXCEED 350
12	778482	2	LABEL, DO NOT EXCEED 400

# 778418 - LABEL KIT PLACEMENT WITH FORKS



Parts List			
Item	Part No.	Qty	Description
1	778339	1	LABEL, CARRIAGE LATCH WARNING
2	778346	1	LABEL, WINCH RAISE/LOWER
3	778347	1	LABEL, NO RIDERS WARNING
4	778352	1	TAPE, 2" B/Y CAUTION STRIPE (10 FT.)
5	778355	2	LABEL, SUMNER W/BLK BACKGROUND
6	778356	1	LABEL, WARNING "LEVEL PRIOR..."
7	778446	2	LABEL, MODEL EVENTER 16
8	778448	1	LABEL, SERIAL NO. EVENTER 16
9	778458	1	LABEL, LARGE WARNING 2200 LIFT
10	778906	1	LABEL, OPER MANUAL, LIFT-READ B4
11	778920	1	LABEL, CAUTION CARRIAGE LATCH