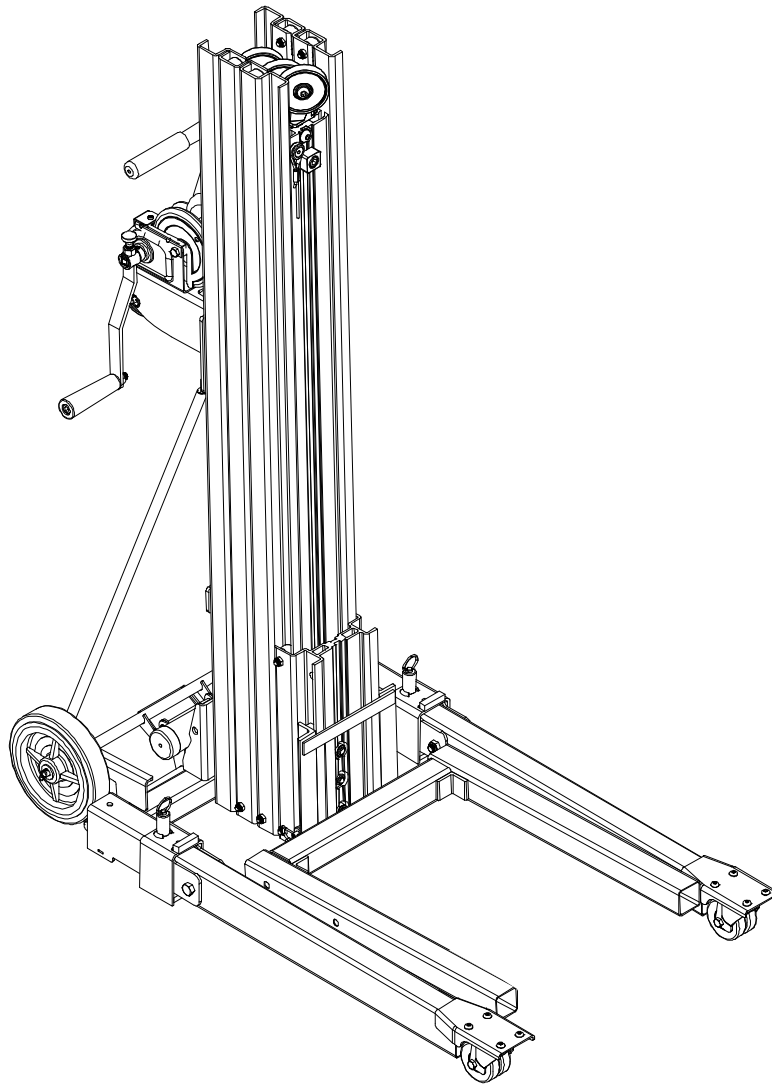


May 2011

PARTS MANUAL

SERIES 2400 CONTRACTOR LIFT



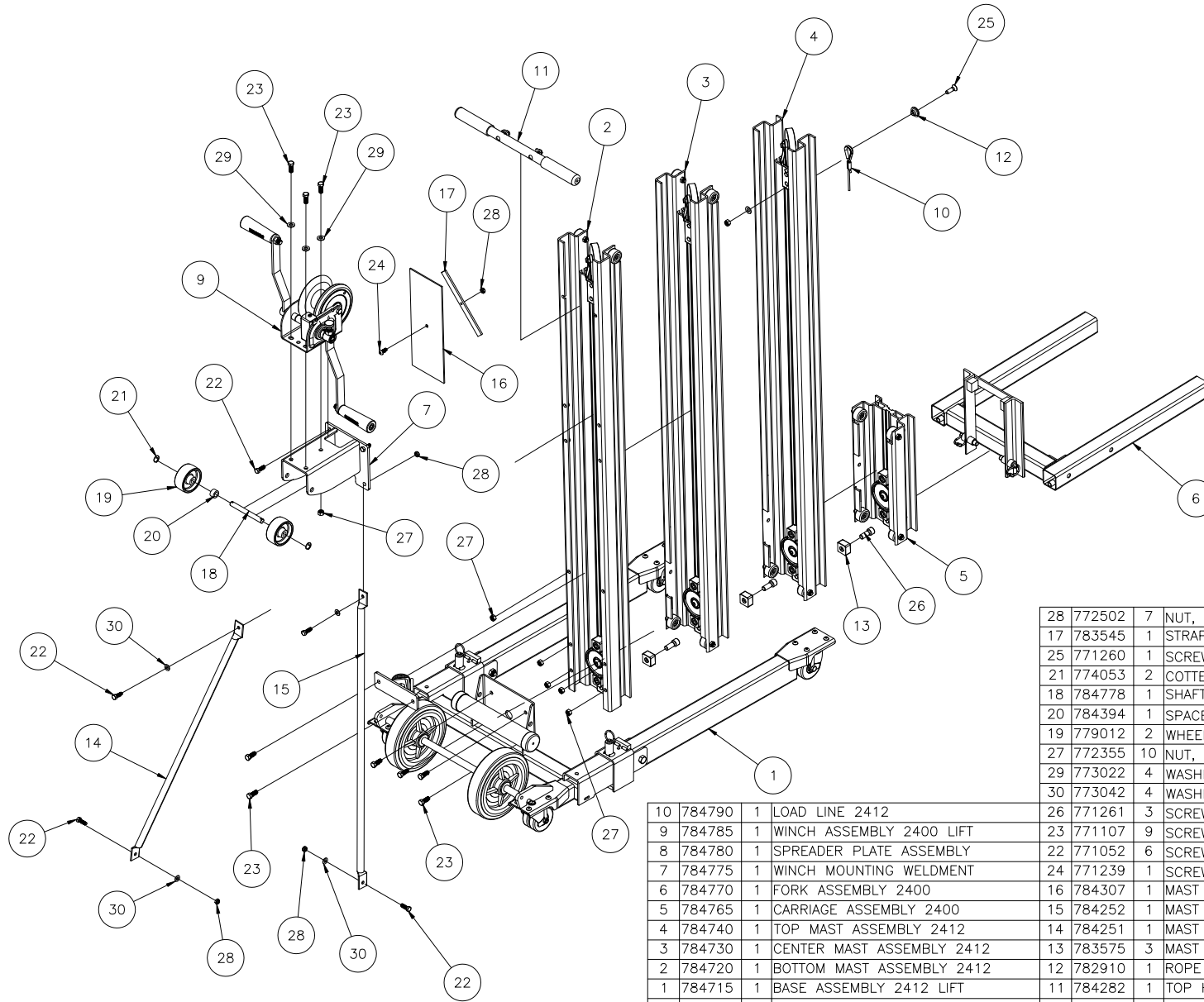
SUMNER[®]

USA:
7514 Alabonson Road
Houston, TX 77088
281-999-6900 (tel)
281-999-6966 (fax)

CANADA:
470 Collier MacMillan Drive,
Unit 2 & 3
Cambridge, ON N1R 5Y7
phone: 519-623-2300
fax: 519-623-0744

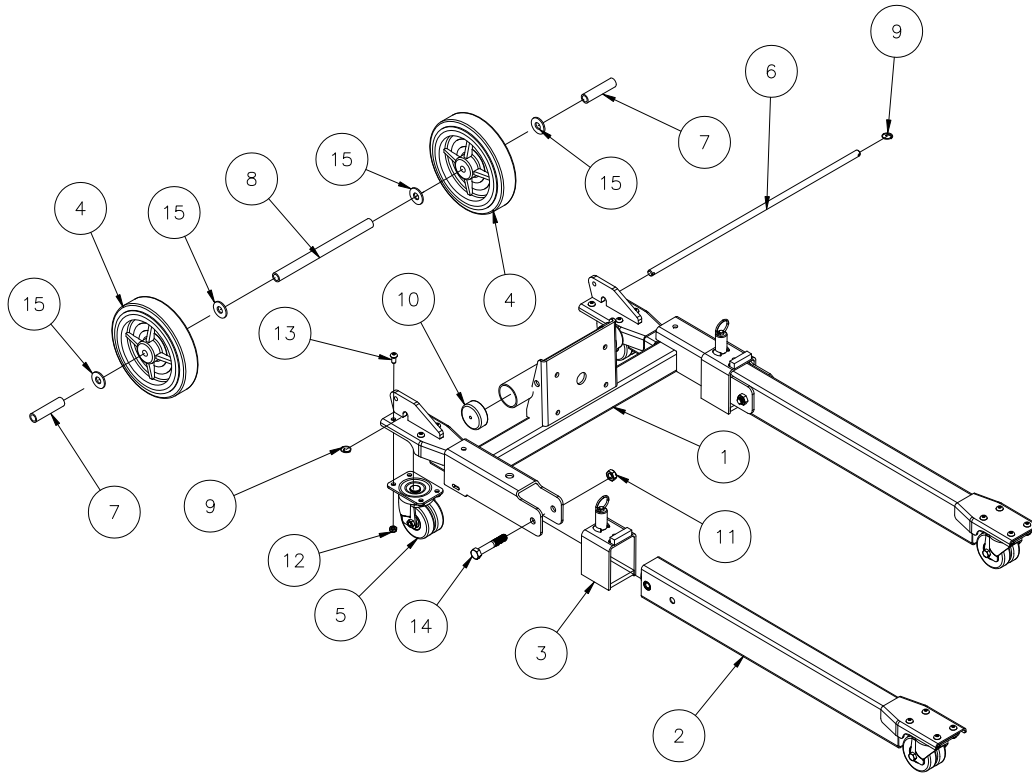
UK:
Unit 16A, Blackpole Trading Estate East
Blackpole Road
Worcester WR3 8SG
phone: (44) 01905 458333
fax: (44) 01905 458222

784750 - 2412 LIFT ASSEMBLY



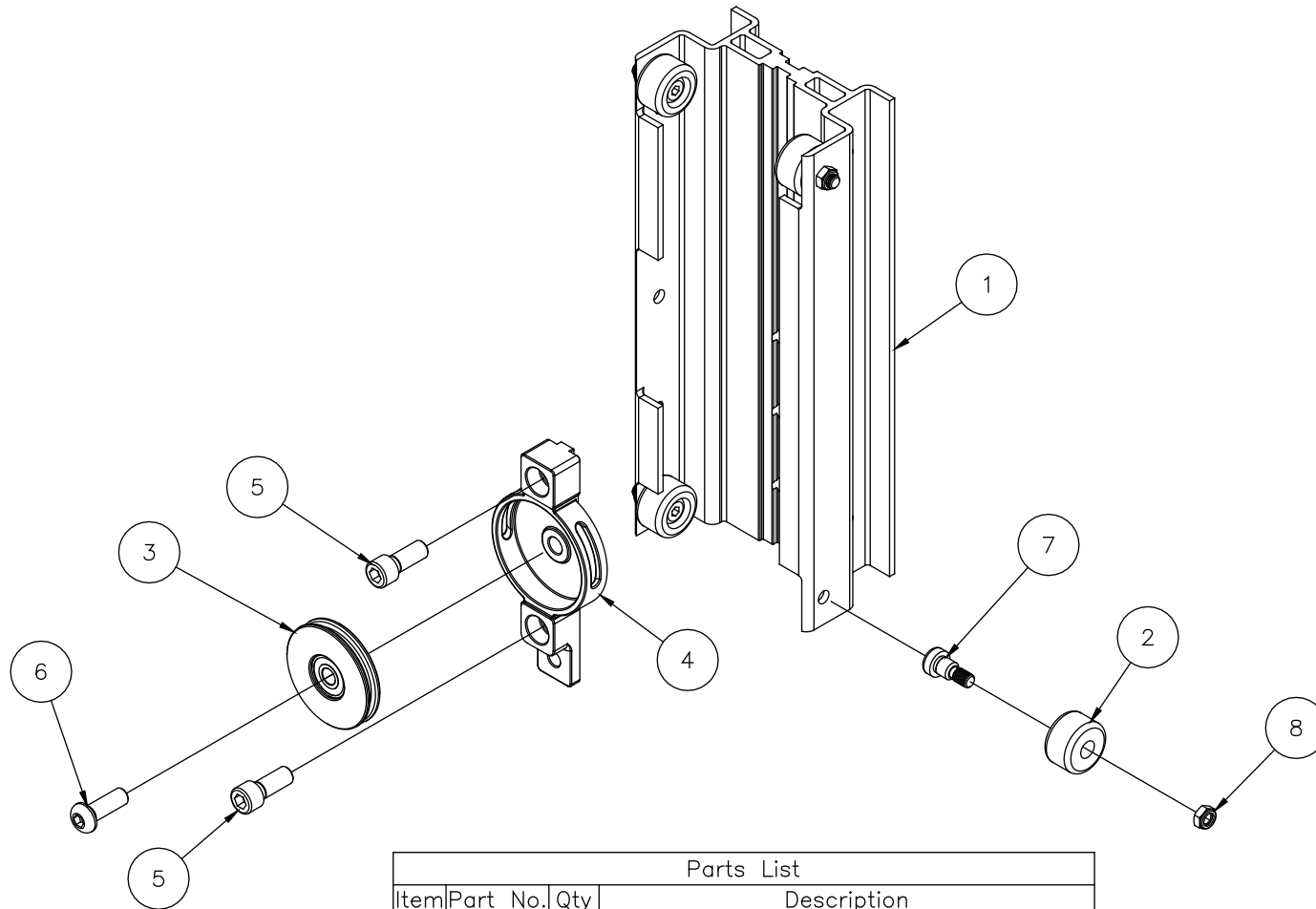
| | | | | | | | |
|------------|----------|-----|-------------------------------|------------|----------|-----|-------------------------------|
| 28 | 772502 | 7 | NUT, INSERT JAM 5/16-18 | 28 | 772502 | 7 | NUT, INSERT JAM 5/16-18 |
| 17 | 783545 | 1 | STRAP, 2100 SERIES LIFT | 17 | 783545 | 1 | STRAP, 2100 SERIES LIFT |
| 25 | 771260 | 1 | SCREW, FHSC 3/8-16 X 1-1/4 | 25 | 771260 | 1 | SCREW, FHSC 3/8-16 X 1-1/4 |
| 21 | 774053 | 2 | COTTER, CIRCLE Z/P .048 X 3/4 | 21 | 774053 | 2 | COTTER, CIRCLE Z/P .048 X 3/4 |
| 18 | 784778 | 1 | SHAFT WHEEL 2400 LIFT | 18 | 784778 | 1 | SHAFT WHEEL 2400 LIFT |
| 20 | 784394 | 1 | SPACER, PULLEY 1/2" | 20 | 784394 | 1 | SPACER, PULLEY 1/2" |
| 19 | 779012 | 2 | WHEEL, POLY OLEFIN 3" | 19 | 779012 | 2 | WHEEL, POLY OLEFIN 3" |
| 27 | 772355 | 10 | NUT, INSERT LOCK 3/8-16 | 27 | 772355 | 10 | NUT, INSERT LOCK 3/8-16 |
| 29 | 773022 | 4 | WASHER, FL 3/8 SAE HARDENED | 29 | 773022 | 4 | WASHER, FL 3/8 SAE HARDENED |
| 30 | 773042 | 4 | WASHER, FL 5/16 | 30 | 773042 | 4 | WASHER, FL 5/16 |
| 26 | 771261 | 3 | SCREW, SHC 1/2-13 X 1-1/4 | 26 | 771261 | 3 | SCREW, SHC 1/2-13 X 1-1/4 |
| 23 | 771107 | 9 | SCREW, HHC 3/8-16 X 1 | 23 | 771107 | 9 | SCREW, HHC 3/8-16 X 1 |
| 22 | 771052 | 6 | SCREW, HHC 5/16-18 X 1 | 22 | 771052 | 6 | SCREW, HHC 5/16-18 X 1 |
| 24 | 771239 | 1 | SCREW, BHC 5/16-18 X 7/8 | 24 | 771239 | 1 | SCREW, BHC 5/16-18 X 7/8 |
| 16 | 784307 | 1 | MAST COVER, SHORT 2200 | 16 | 784307 | 1 | MAST COVER, SHORT 2200 |
| 15 | 784252 | 1 | MAST BRACE RIGHT | 15 | 784252 | 1 | MAST BRACE RIGHT |
| 14 | 784251 | 1 | MAST BRACE LEFT | 14 | 784251 | 1 | MAST BRACE LEFT |
| 13 | 783575 | 3 | MAST STOP BLOCK | 13 | 783575 | 3 | MAST STOP BLOCK |
| 12 | 782910 | 1 | ROPE RETAINER WASHER | 12 | 782910 | 1 | ROPE RETAINER WASHER |
| 11 | 784282 | 1 | TOP HANDLE ASSEMBLY, 2200 | 11 | 784282 | 1 | TOP HANDLE ASSEMBLY, 2200 |
| 10 | 784790 | 1 | LOAD LINE 2412 | 10 | 784790 | 1 | LOAD LINE 2412 |
| 9 | 784785 | 1 | WINCH ASSEMBLY 2400 LIFT | 9 | 784785 | 1 | WINCH ASSEMBLY 2400 LIFT |
| 8 | 784780 | 1 | SPREADER PLATE ASSEMBLY | 8 | 784780 | 1 | SPREADER PLATE ASSEMBLY |
| 7 | 784775 | 1 | WINCH MOUNTING WELDMENT | 7 | 784775 | 1 | WINCH MOUNTING WELDMENT |
| 6 | 784770 | 1 | FORK ASSEMBLY 2400 | 6 | 784770 | 1 | FORK ASSEMBLY 2400 |
| 5 | 784765 | 1 | CARRIAGE ASSEMBLY 2400 | 5 | 784765 | 1 | CARRIAGE ASSEMBLY 2400 |
| 4 | 784740 | 1 | TOP MAST ASSEMBLY 2412 | 4 | 784740 | 1 | TOP MAST ASSEMBLY 2412 |
| 3 | 784730 | 1 | CENTER MAST ASSEMBLY 2412 | 3 | 784730 | 1 | CENTER MAST ASSEMBLY 2412 |
| 2 | 784720 | 1 | BOTTOM MAST ASSEMBLY 2412 | 2 | 784720 | 1 | BOTTOM MAST ASSEMBLY 2412 |
| 1 | 784715 | 1 | BASE ASSEMBLY 2412 LIFT | 1 | 784715 | 1 | BASE ASSEMBLY 2412 LIFT |
| Item | Part No. | Qty | Description | Item | Part No. | Qty | Description |
| Parts List | | | | Parts List | | | |

784715 - BASE ASSEMBLY



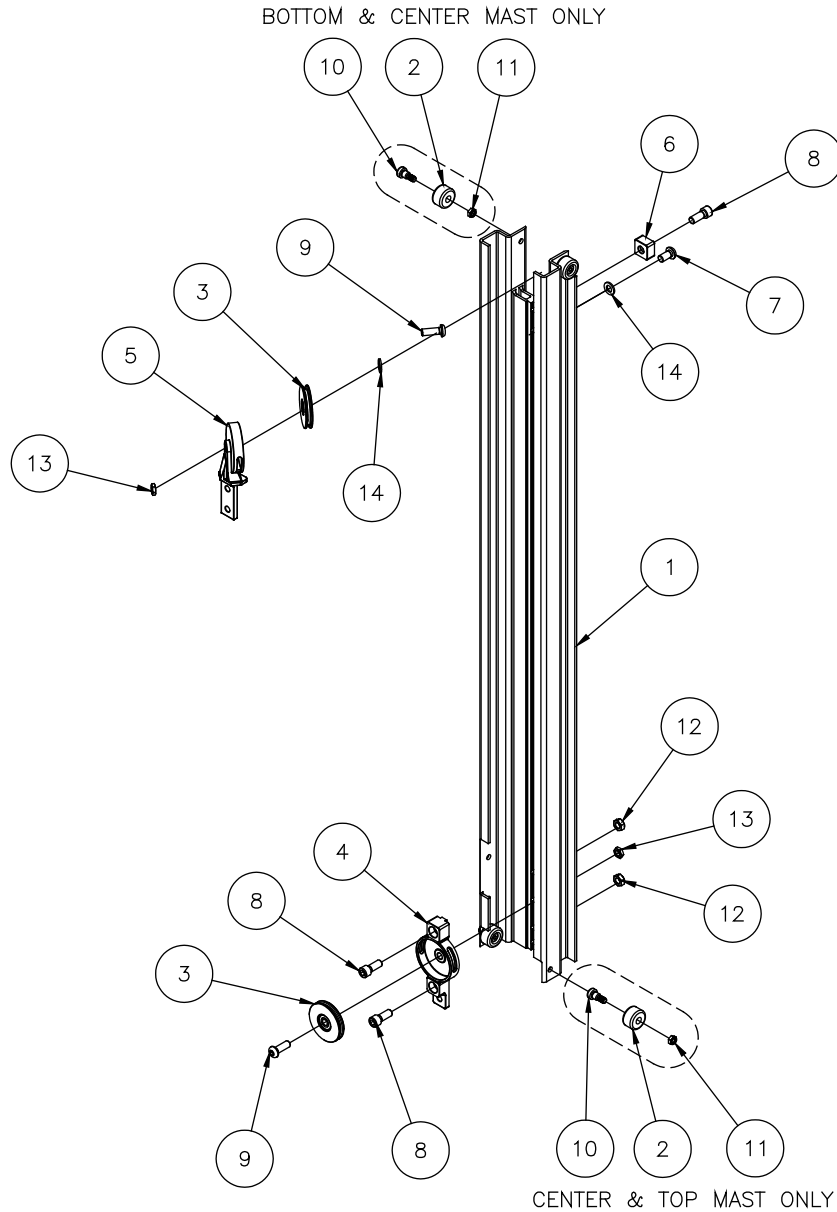
| | | | |
|------------|----------|-----|-------------------------------|
| 15 | 773060 | 4 | WASHER, FLAT 1/2 USS |
| 14 | 771142 | 2 | SCREW, HHC 1/2-13 X 3 |
| 13 | 771049 | 8 | SCREW, BHC 5/16-18 X 5/8 |
| 12 | 772502 | 8 | NUT, INSERT JAM 5/16-18 |
| 11 | 772358 | 2 | NUT, INSERT JAM 1/2-13 |
| 10 | 779905 | 2 | CAP, 2" OD TUBE, BLACK |
| 9 | 774053 | 2 | COTTER. CIRCLE Z/P .048 X 3/4 |
| 8 | 784867 | 1 | AXLE SUPPORT TUBE |
| 7 | 784586 | 2 | SPACER, WHEEL 3-1/16 |
| 6 | 784585 | 1 | AXLE, 2412 LIFT |
| 5 | 779036 | 2 | CASTER, 3" DUAL WHEEL W/BRAKE |
| 4 | 779031 | 2 | WHEEL, 8" THERMOPLASTIC GRAY |
| 3 | 784820 | 2 | LEG LOCK ASSY. |
| 2 | 784810 | 2 | FRONT LEG ASSY. 2412 LIFT |
| 1 | 784800 | 1 | BASE WELDMENT 2412 LIFT |
| Item | Part No. | Qty | Description |
| Parts List | | | |

784765 - CARRIAGE ASSEMBLY



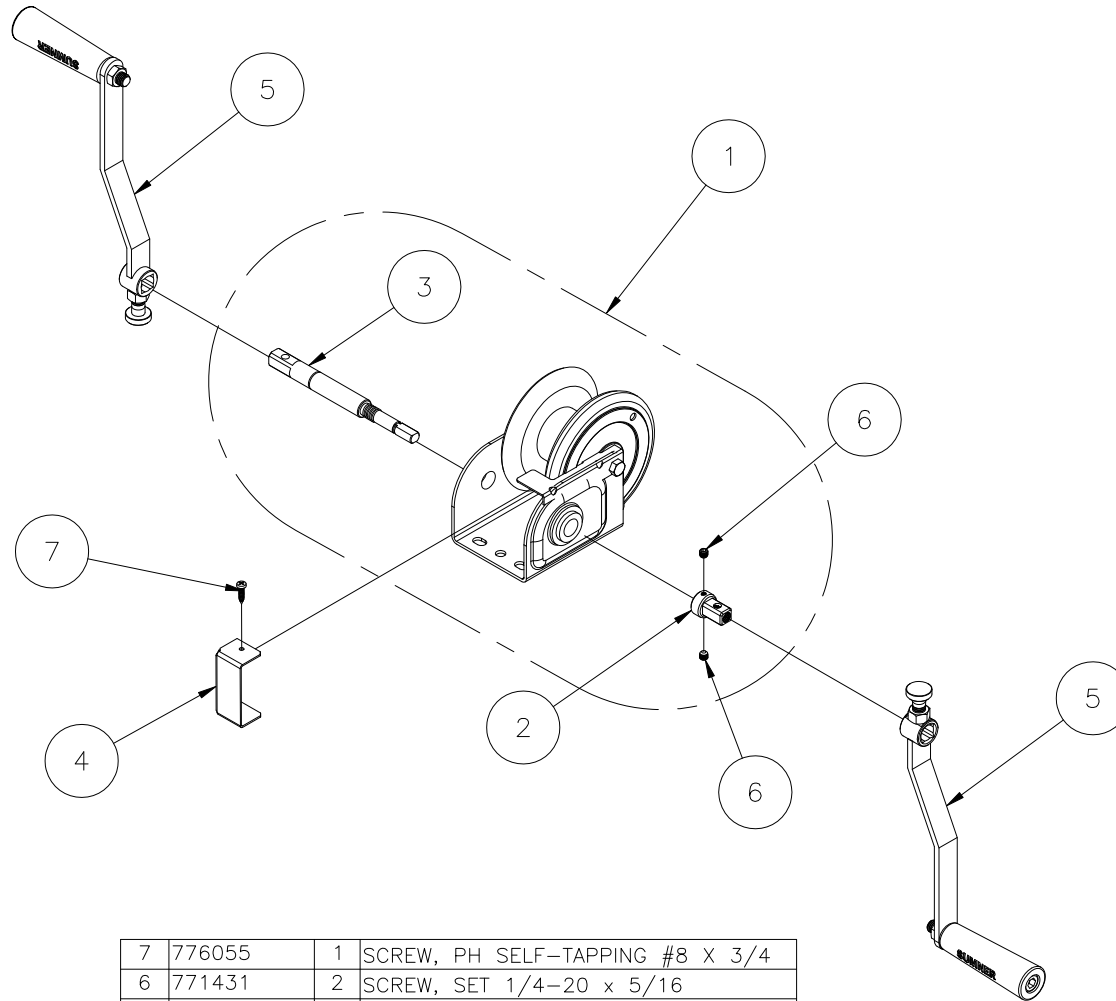
| Parts List | | | |
|------------|----------|-----|-----------------------------|
| Item | Part No. | Qty | Description |
| 1 | 784766 | 1 | CARRIAGE MACHINED 2400 LIFT |
| 2 | 784722 | 4 | MAST ROLLER 2400 LIFT |
| 3 | 784724 | 1 | PULLEY ASSEMBLY 3" |
| 4 | 784705 | 1 | PULLEY COVER |
| 5 | 771261 | 2 | SCREW, SHC 1/2-13 X 1-1/4 |
| 6 | 771263 | 1 | SCREW, BHC M12-1.75 X 35 |
| 7 | 771350 | 4 | SCREW, SHOULDER 1/2 X 1/2 |
| 8 | 772350 | 4 | NUT, INSERT JAM 3/8-16 |
| 9 | 772358 | 2 | NUT, INSERT JAM 1/2-13 |
| 10 | 772505 | 1 | NUT, JAM LOCK M12 |

MAST ASSEMBLY



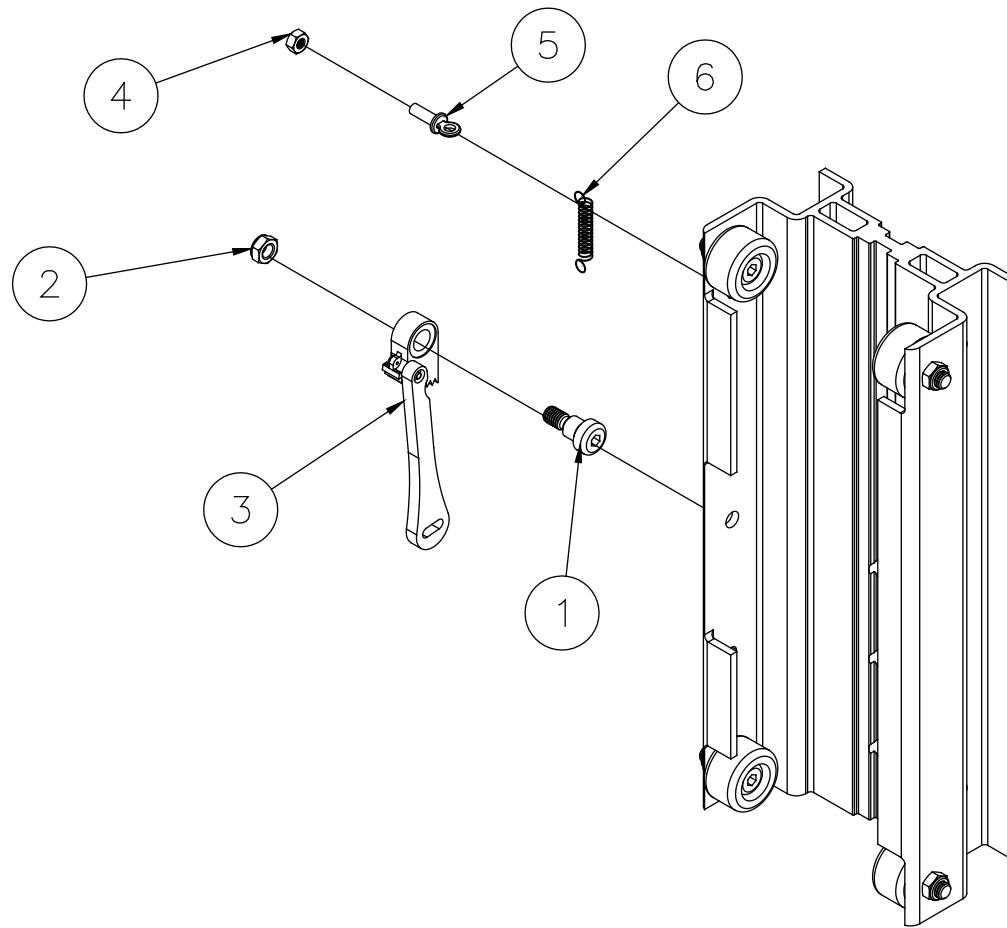
| | | | |
|------------|----------|-----|-----------------------------------------------|
| 14 | 773096 | 2 | WASHER, FLAT M12 |
| 13 | 772505 | 2 | NUT, JAM LOCK M12 |
| 12 | 772358 | 2 | NUT, INSERT JAM 1/2-13 |
| 11 | 772350 | 2 | NUT, INSERT JAM 3/8-16 (TOP & BOTTOM MAST) |
| | 772350 | 4 | NUT, INSERT JAM 3/8-16 (CENTER MAST) |
| 10 | 771350 | 2 | SCREW, SHOULDER 1/2 X 1/2 (TOP & BOTTOM MAST) |
| | 771350 | 4 | SCREW, SHOULDER 1/2 X 1/2 (CENTER MAST) |
| 9 | 771263 | 2 | SCREW, BHC M12-1.75 X 35 |
| 8 | 771261 | 3 | SCREW, SHC 1/2-13 X 1-1/4 |
| 7 | 771259 | 1 | SCREW, BHC 1/2-13 X 1 |
| 6 | 783575 | 1 | STOP BLOCK |
| 5 | 784710 | 1 | PULLEY MOUNT |
| 4 | 784705 | 1 | PULLEY COVER |
| 3 | 784724 | 2 | PULLEY ASSEMBLY 3" |
| 2 | 784722 | 2 | MAST ROLLER 2400 LIFT (TOP & BOTTOM MAST) |
| | 784722 | 4 | MAST ROLLER 2400 LIFT (CENTER MAST) |
| 1 | 784741 | 1 | TOP MAST MACHINED 2412 |
| | 784731 | 1 | CENTER MAST MACHINED 2412 |
| | 784721 | 1 | BOTTOM MAST MACHINED 2412 |
| Item | Part No. | Qty | Description |
| Parts List | | | |

784785 - WINCH ASSEMBLY



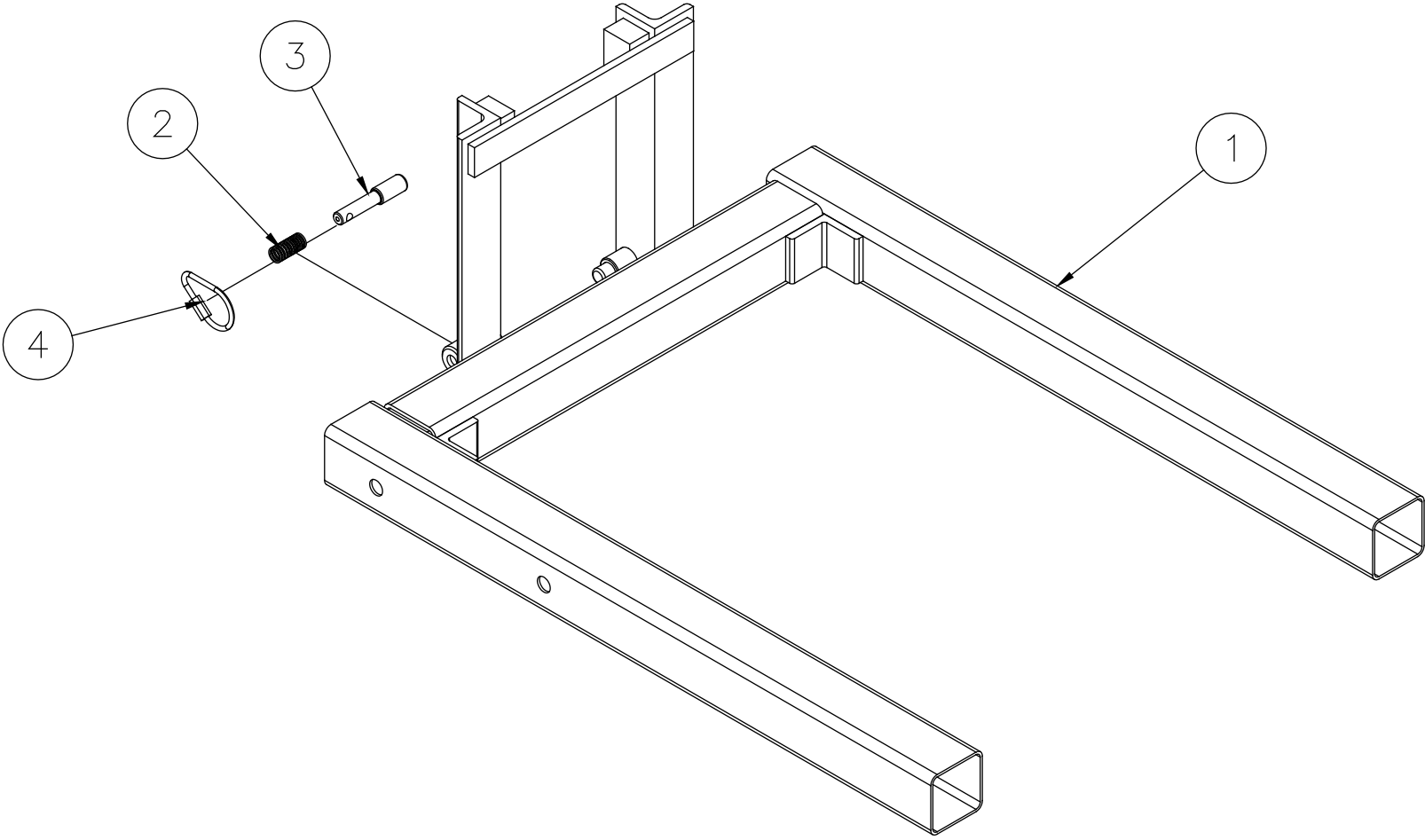
| | | | |
|------------|----------|-----|---------------------------------|
| 7 | 776055 | 1 | SCREW, PH SELF-TAPPING #8 X 3/4 |
| 6 | 771431 | 2 | SCREW, SET 1/4-20 x 5/16 |
| 5 | 783757 | 2 | WINCH HANDLE ASSY, MX |
| 4 | 784671 | 1 | WINCH GUARD |
| 3 | 784786 | 1 | WINCH SHAFT 2400 LIFT |
| 2 | 784284 | 1 | WINCH HANDLE ADAPTER |
| 1 | 779951 | 1 | WINCH, FULTON KX-1051 |
| Item | Part No. | Qty | Description |
| Parts List | | | |

784755 - SAFETY BRAKE ASSEMBLY



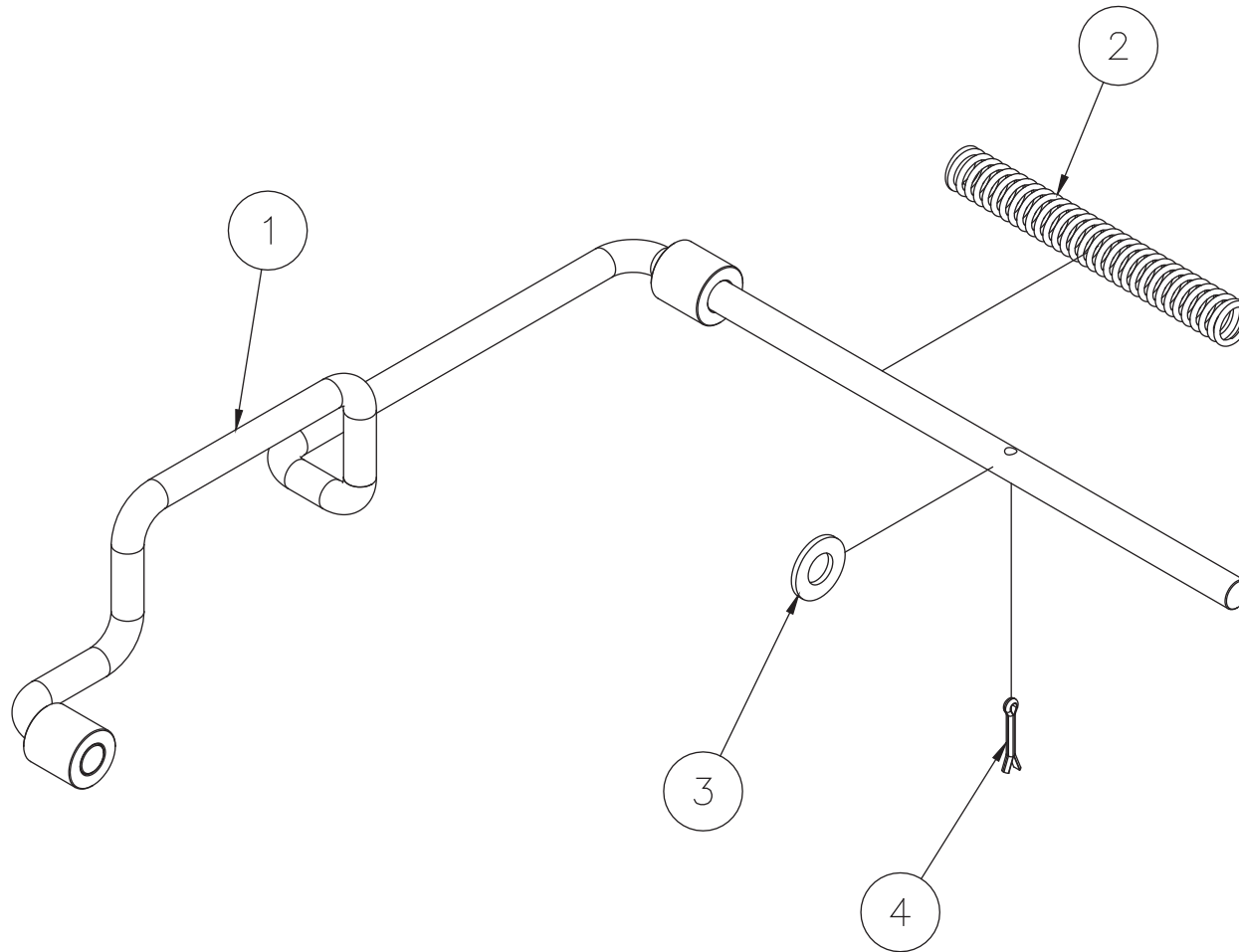
| Parts List | | | |
|------------|----------|-----|---------------------------|
| Item | Part No. | Qty | Description |
| 1 | 771350 | 1 | SCREW, SHOULDER 1/2 X 1/2 |
| 2 | 772350 | 1 | NUT, INSERT JAM 3/8-16 |
| 3 | 784692 | 1 | SAFETY BRAKE ASSEMBLY |
| 4 | 772076 | 1 | NUT, INSERT LOCK 1/4-20 |
| 5 | 779900 | 1 | SCREW, ADJUSTING |
| 6 | 783530 | 1 | BRAKE SPRING |

784770 - FORK ASSEMBLY



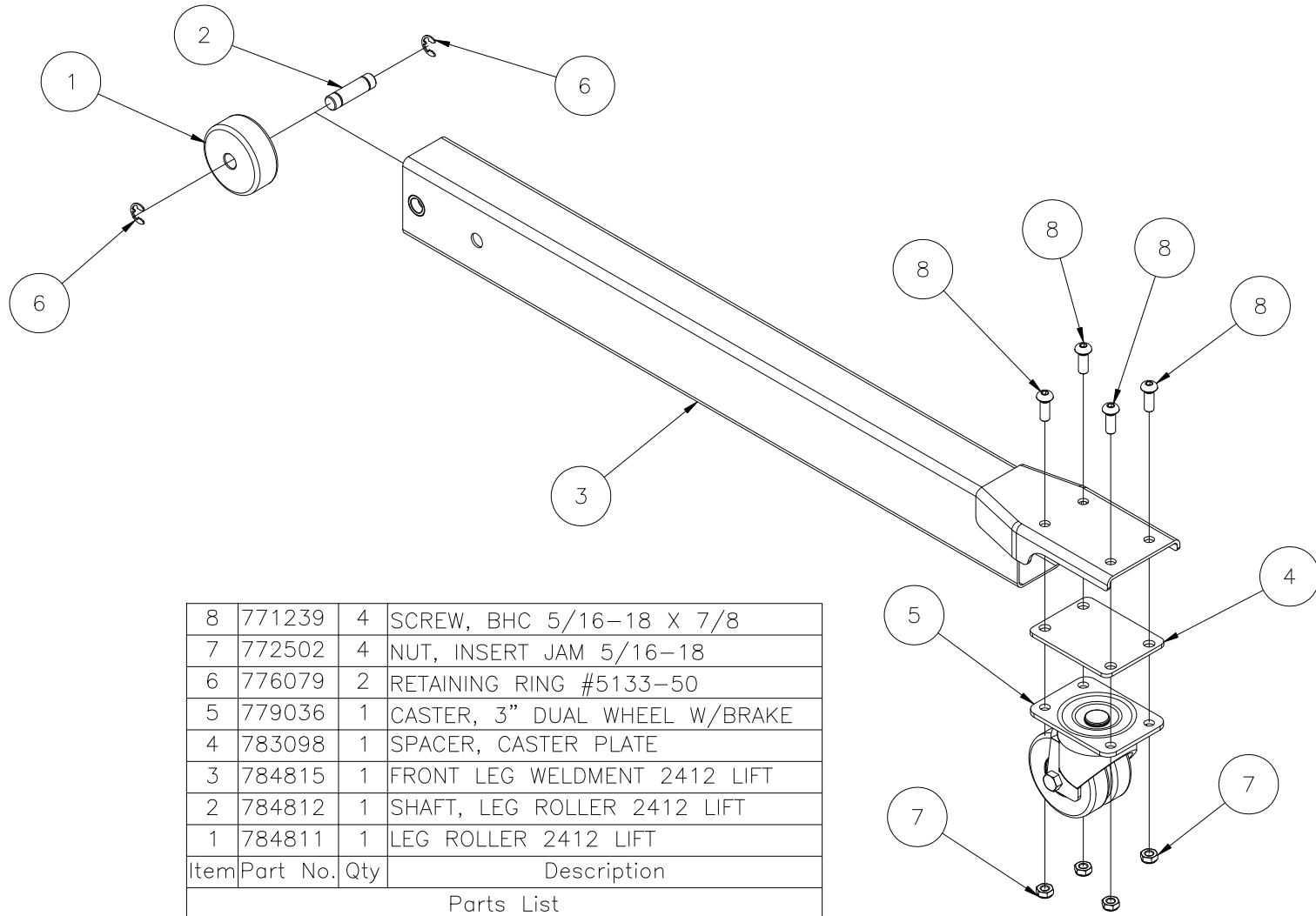
| | | | |
|------------|----------|-----|-------------------------|
| 4 | 779317 | 2 | RAPID LINK, 1/8" |
| 3 | 782510 | 2 | PLUNGER |
| 2 | 776212 | 2 | PLUNGER SPRING |
| 1 | 784771 | 1 | FORK WELDMENT 2400 LIFT |
| Item | Part No. | Qty | Description |
| Parts List | | | |

784830 - MAST HOLD DOWN - (optional)



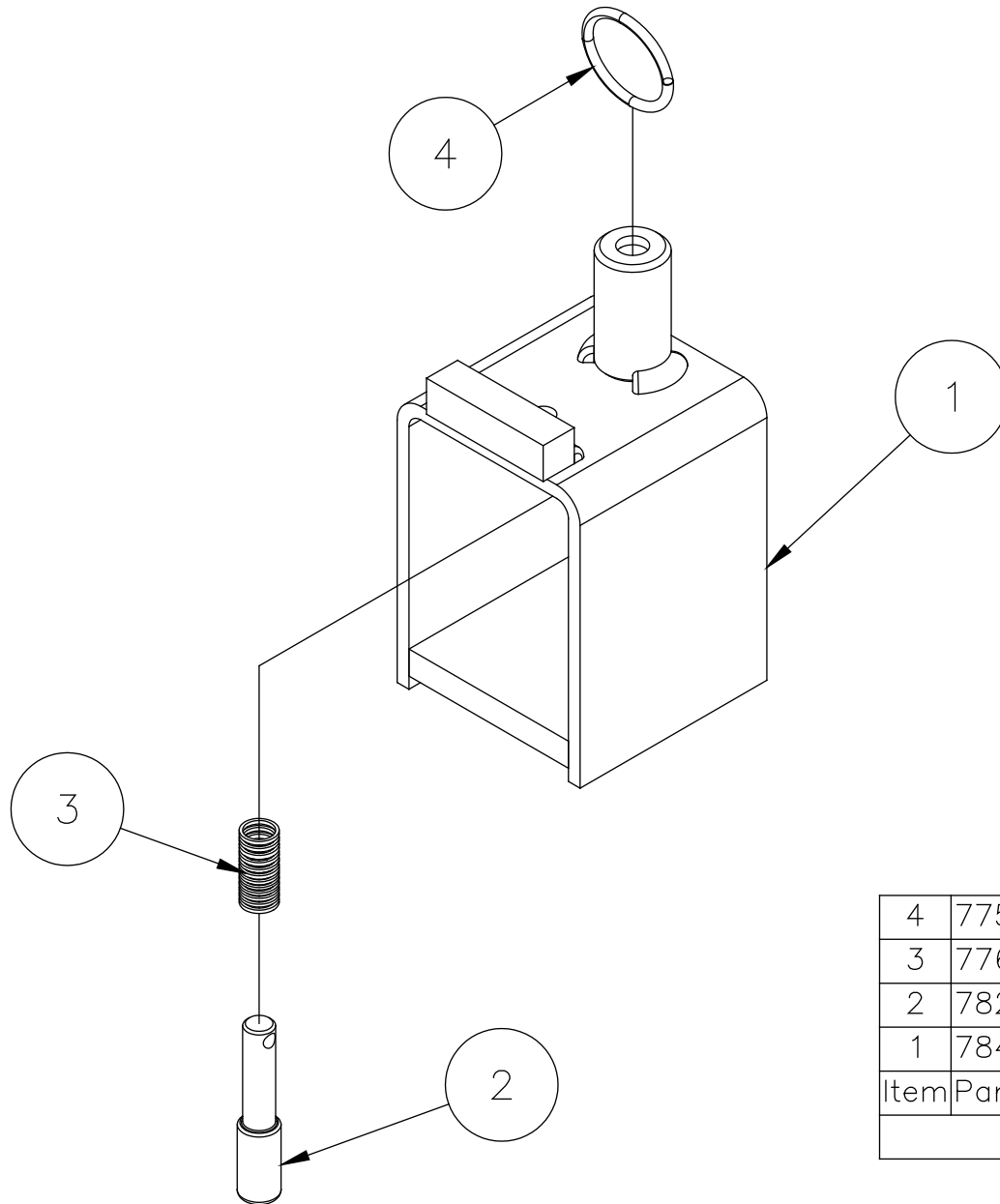
| | | | |
|------------|----------|-----|---------------------------|
| 4 | 774051 | 1 | PIN, COTTER 1/8 X 3/4 |
| 3 | 773094 | 1 | WASHER, FLAT 1/2 SAE |
| 2 | 776218 | 1 | SPRING 3/4 OD X 7-1/2 LG. |
| 1 | 784831 | 1 | MAST HOLD DOWN WELDMENT |
| Item | Part No. | Qty | Description |
| Parts List | | | |

784810 - FRONT LEG ASSEMBLY



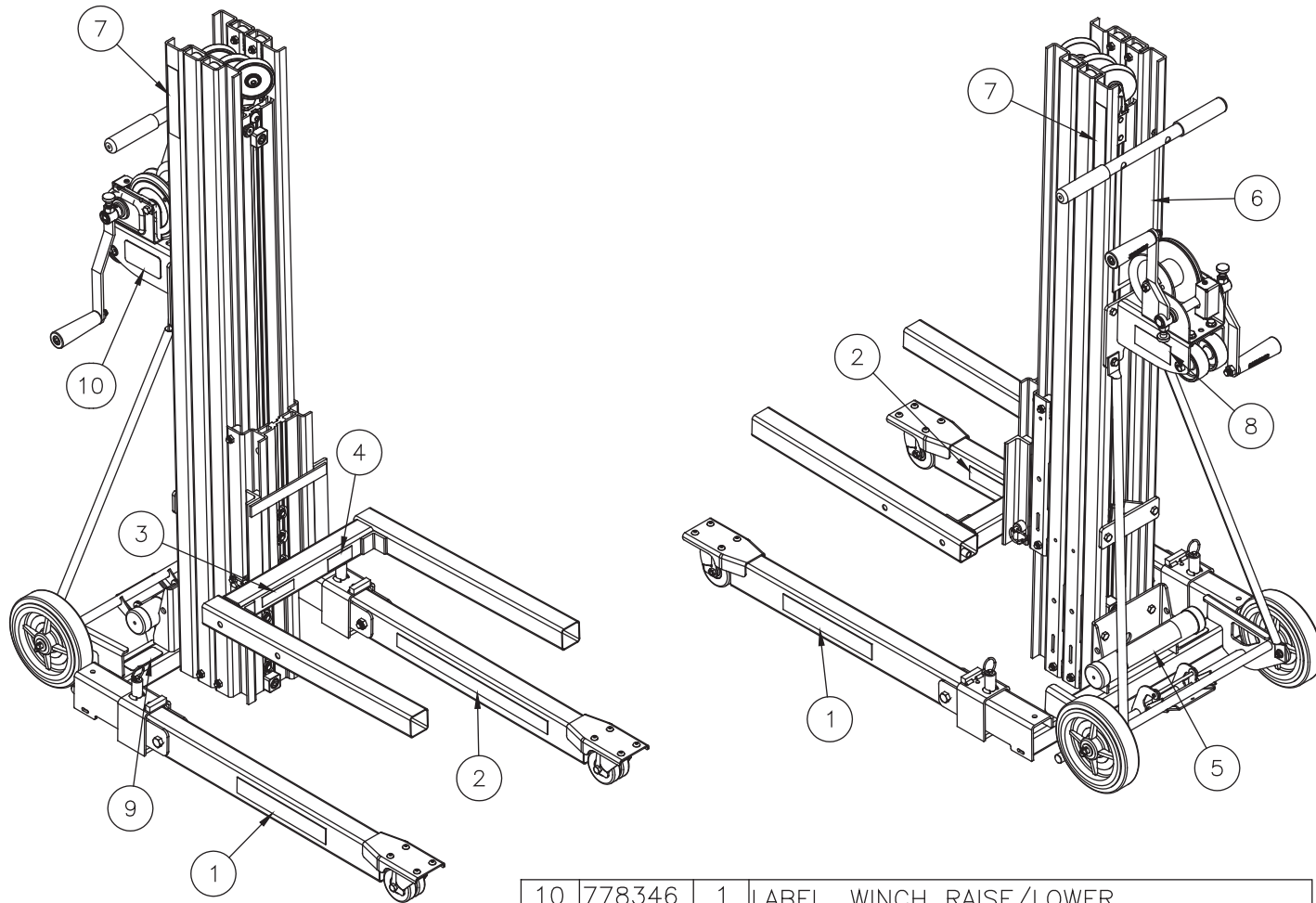
| | | | |
|------------|----------|-----|-------------------------------|
| 8 | 771239 | 4 | SCREW, BHC 5/16-18 X 7/8 |
| 7 | 772502 | 4 | NUT, INSERT JAM 5/16-18 |
| 6 | 776079 | 2 | RETAINING RING #5133-50 |
| 5 | 779036 | 1 | CASTER, 3" DUAL WHEEL W/BRAKE |
| 4 | 783098 | 1 | SPACER, CASTER PLATE |
| 3 | 784815 | 1 | FRONT LEG WELDMENT 2412 LIFT |
| 2 | 784812 | 1 | SHAFT, LEG ROLLER 2412 LIFT |
| 1 | 784811 | 1 | LEG ROLLER 2412 LIFT |
| Item | Part No. | Qty | Description |
| Parts List | | | |

784820 - LEG LOCK ASSEMBLY



| 4 | 775110 | 1 | SPLIT RING 1-1/4" NICK. PLTD. |
|------------|----------|-----|-------------------------------|
| 3 | 776212 | 1 | SPRING, #DWC-042-G-9 |
| 2 | 782510 | 1 | PLUNGER |
| 1 | 784821 | 1 | LEG LOCK WELDMENT 2400 LIFT |
| Item | Part No. | Qty | Description |
| Parts List | | | |

778420 - LABEL KIT



| | | | |
|------------|----------|-----|----------------------------------|
| 10 | 778346 | 1 | LABEL, WINCH RAISE/LOWER |
| 9 | 778459 | 1 | LABEL, MAST HOLD DOWN |
| 8 | 778447 | 1 | LABEL, SERIAL NO. 2412 |
| 7 | 778445 | 2 | LABEL, MODEL NO. 2412 |
| 6 | 778458 | 1 | LABEL, LARGE WARNING 2200 LIFT |
| 5 | 778906 | 1 | LABEL, OPERATORS MANUAL |
| 4 | 778347 | 1 | LABEL, NO RIDERS WARNING |
| 3 | 778339 | 1 | LABEL, CARRIAGE LATCH WARNING |
| 2 | 778457 | 2 | LABEL, "DO NOT STAND UNDER LOAD" |
| 1 | 778450 | 2 | LABEL, "SUMNER" 2200 LIFT |
| Item | Part No. | Qty | Description |
| Parts List | | | |